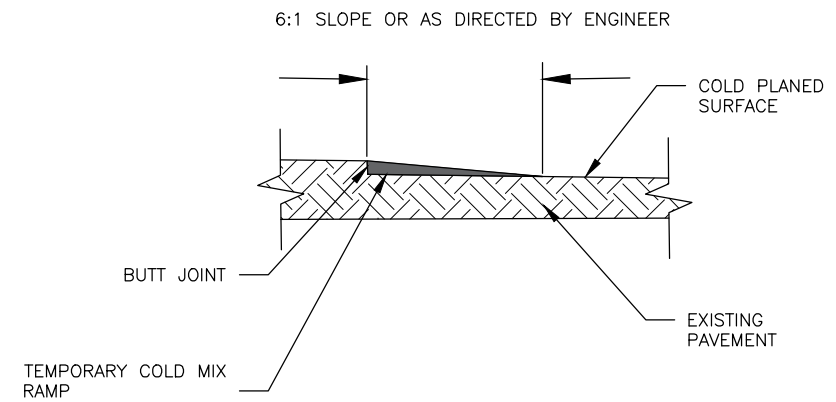


**FULL WIDTH COLD PLANING DETAIL**

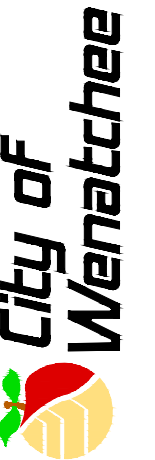
**NOTES:**

1. ALL JOINTS PLANED PERPENDICULAR TO TRAVEL LANES SHALL BE IMMEDIATELY PAPER JOINTED, COLD MIXED, AS PER THIS DETAIL, AND MAINTAINED UNTIL HMA LAYER IS INSTALLED. PAPER JOINTS WILL BE REMOVED JUST PRIOR TO PLACEMENT OF WEARING COURSES.
2. ALL COLD MIX RAMPS WILL USE A BUTT JOINT



**COLD MIX RAMP**

**STANDARD DETAIL  
FULL WIDTH COLD  
PLANING DETAIL**



SCALE: AS SHOWN	DESIGNED	DRAWN CAW	APPROVED BY	DATE DRAWN 10/02/2020	CHECKED	REVISIONS			
						DATE	INITIAL	DATE	INITIAL
						01/01/2022	AJS	03/31/2023	JTB
						03/07/2024	JTB		

DETAIL NO.

R-320

PAGE

1 OF 1