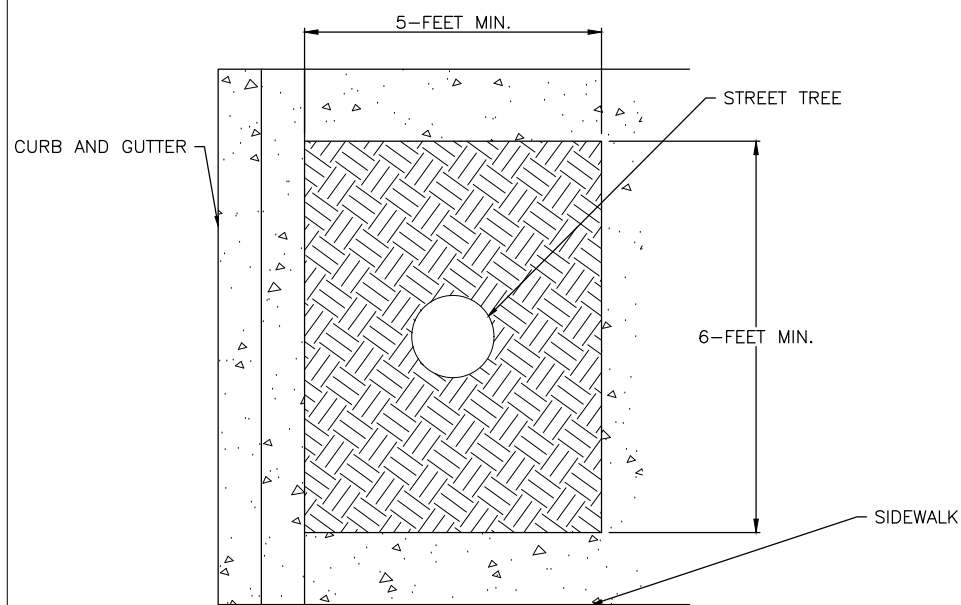
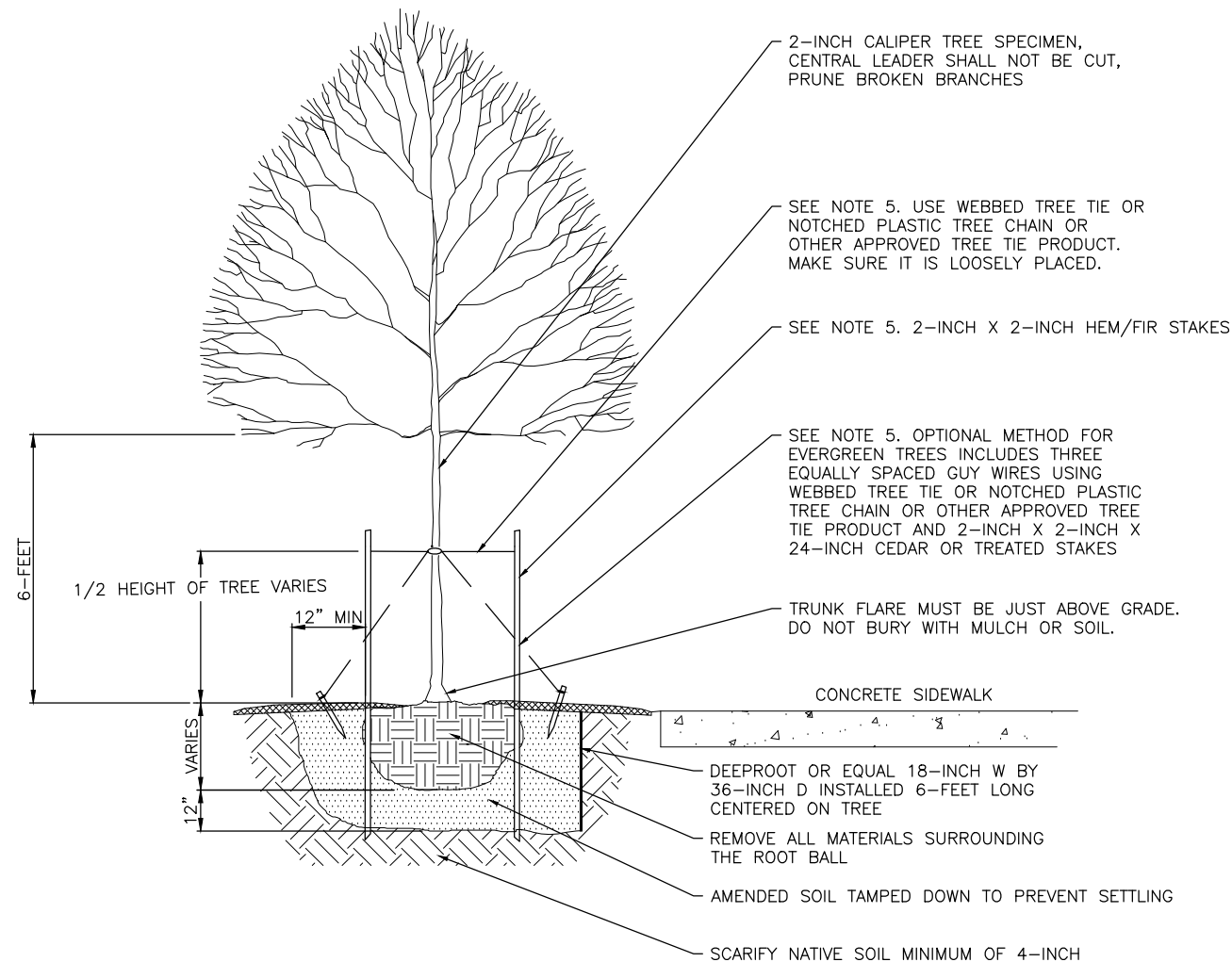


TREE WELL



TREE WELL PLAN VIEW

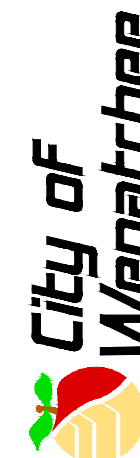


TREE PLANTING BACK OF WALK

NOTES:

1. SIZE OF PLANTING PIT SHALL BE 3 TIMES LARGER THEN ROOT BALL.
2. FOR DECIDUOUS TREES, 2-INCH CALIPER MINIMUM AND BRANCHING STARTS 5-FEET ABOVE GRADE (UNLESS OTHER APPROVED BY CITY).
3. FOR PLANTING DISTANCES NEAR INTERSECTIONS AND DRIVEWAYS. REFER TO SIGHT DISTANCE STANDARDS.
4. TREES SHALL NOT BE PLANTED WITHIN 10-FEET OF ANY UUNDERGROUND UTILITY ACCESS, WHICH MAY BE LOCATED IN THE PLANTER STRIP OR ADJACENT SIDEWALK.
5. REMOVE ALL MATERIALS SURROUNDING THE ROOT BALL.
6. STAKE IF REQUIRED BY THE CITY AND INCLUDE TIMELINE FOR REMOVAL OF STAKES AND TIES.
7. ROOT BARRIER TO BE DEEPROOT (ORE APPROVED EQUAL) 18-INCH WIDTH BY 36-INCH DEPTH BY 6-FEET LONG TOTAL INSTALLED ON BOTH CURB AND SIDEWALK SIDE.
8. NO EVERGREEN TREES IN PUBLIC RIGHT OF WAY.
9. THIS STANDARD IS NOT INTENDED FOR STORMWATER TREES.

**STANDARD DETAIL
TREE WELL**



SCALE: AS SHOWN	DESIGNED	DRAWN CAW	APPROVED BY	STANDARD SPECIFICATIONS	REVISIONS				
					DATE	INITIAL	DATE	INITIAL	
10/20/2020					01/01/2022	AJS	03/07/2024	JTB	

DETAIL NO.
R-250

PAGE
1 OF 1