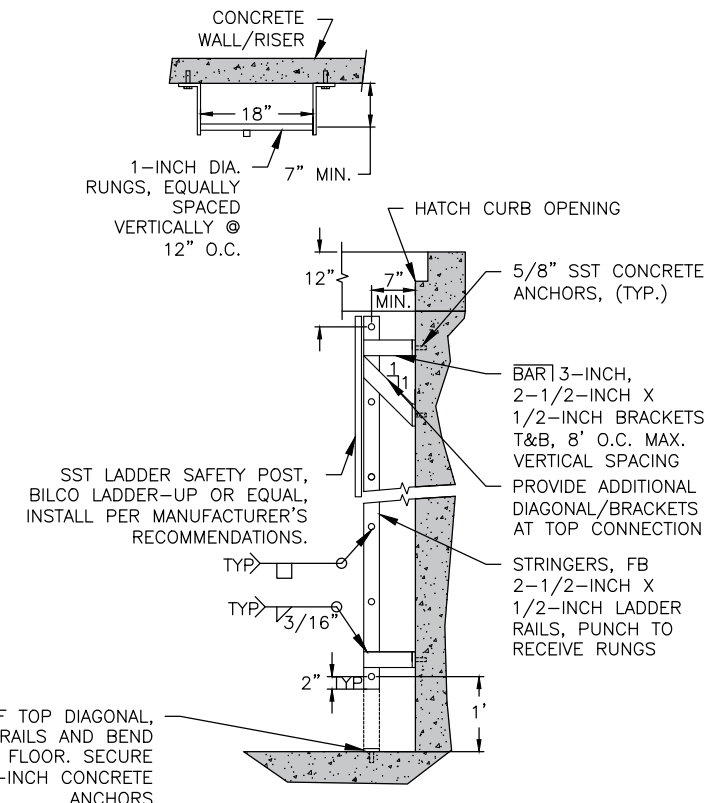
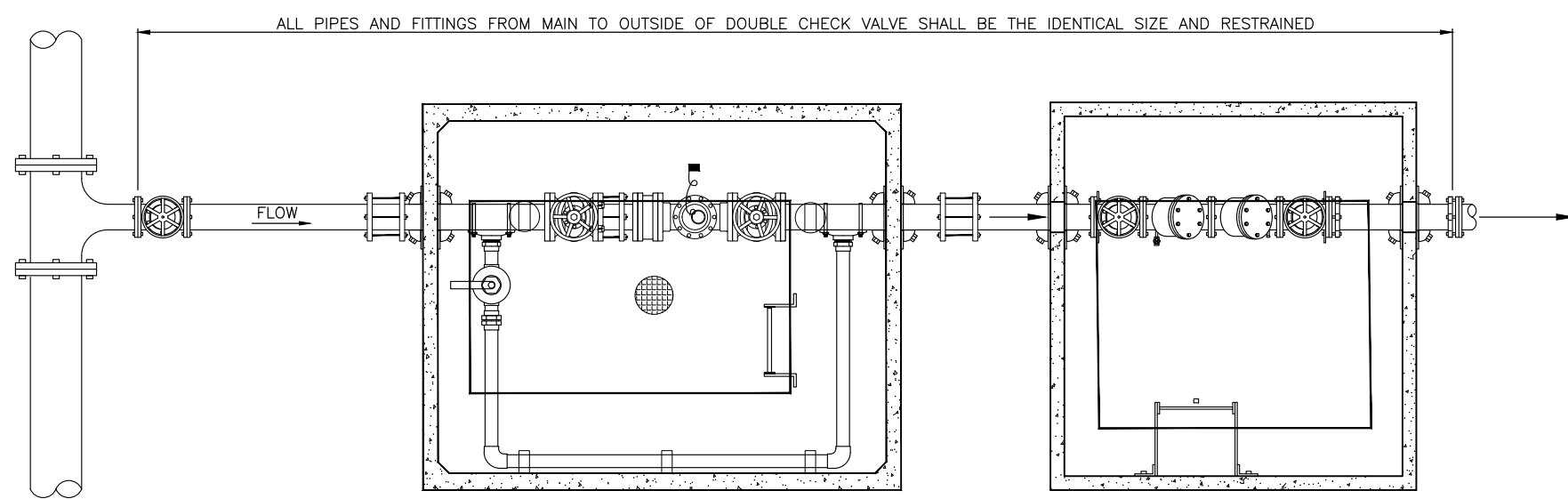


WATER PIPING AND VAULT
N.T.S.

- NOTES:**
- LADDERS SHALL BE ALUMINUM.
 - LADDER MUST MEET CONSTRUCTION REQUIREMENTS OF ANSI A14.3



LADDER DETAIL
N.T.S.



WATER PIPING AND VAULT
N.T.S.

DOUBLE CHECK VAULT
N.T.S.

- NOTES:**
- MATERIALS SHALL BE SUBMITTED FOR CITY APPROVAL PRIOR TO INSTALLATION.
 - MATERIALS SHALL BE NON-LEAD.
 - MATCH BALL VALVE SIZE TO CTS POLY.
 - BALL VALVE COMPRESSION COUPLING TO THE CTS PE WATER SERVICE PIPE SHALL HAVE INSERT AND BE A MAXIMUM OF 2 INCHES FROM INSIDE CHAMBER WALL.
 - DOWNSTREAM WATER SERVICE PIPE DIAMETER SHALL BE THE SAME AS THE WATER METER FOR 3 FEET.
 - ALL TAPS SHALL BE BY CITY CREWS.
 - WATER METER TO BE LOCATED AT BACK OF WALK. SET WATER METER CHAMBER LID FLUSH WITH FINAL SIDEWALK GRADE.
 - EASEMENTS REQUIRED WHEN OUTSIDE RIGHT-OF-WAY.
 - BYPASS PIPE 2-INCH TYP. IN ALL CASES POLY OR RIGID COPPER.

STANDARD DETAIL
3", 4", AND 6" WATER
METER CHAMBER



SCALE: AS SHOWN	DESIGNED	DRAWN	CHECKED	REVISIONS	
				DATE	INITIAL
				01/01/2022	AJS
				03/31/2023	JTB