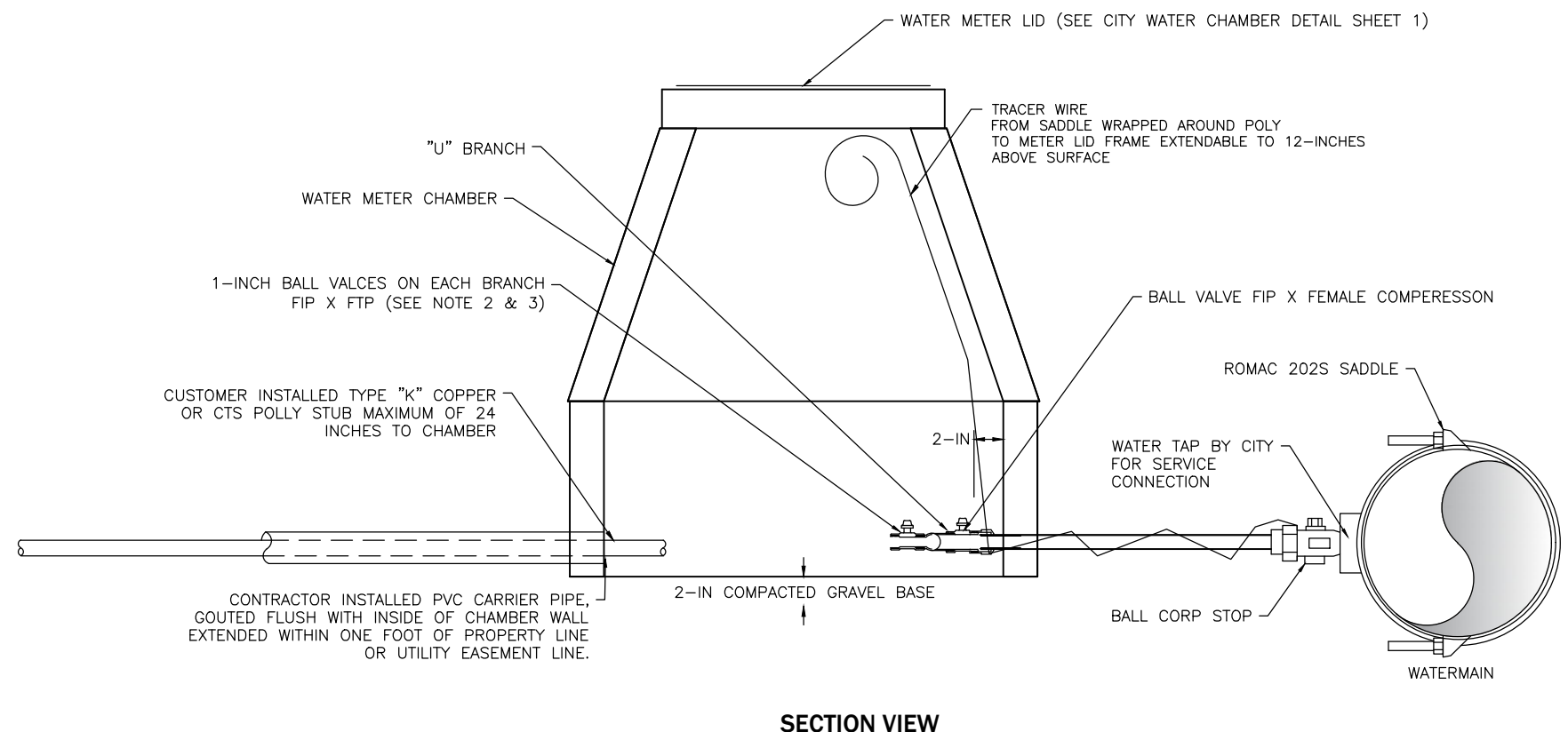


**CONTACT CITY OF WENATCHEE WATER DEPARTMENT FOR TURNING OFF/ON WATER INSIDE THE WATER METER CHAMBER OR TO RECONNECT WATER SERVICE. NEW CONSTRUCTION SHALL LEAVE A 3-FOOT TAIL FOR WATER CREWS TO CUT AND CONNECT TO METER. THE CITY OF WENATCHEE STRICTLY PROHIBITS ANYONE FROM ENTERING WATER CHAMBERS OR SHUTTING WATER SERVICE OFF WITHIN METER CHAMBER.**

**NOTES:**

1. MATERIALS SHALL BE SUBMITTED FOR CITY APPROVAL PRIOR TO INSTALLATION.
2. MATERIAL SHALL BE NON-LEAD, SUPPLIERS ARE TYPICALLY: FORD, MEULLER, AND AY MCDONALD.
3. MATCH BALL VALVE SIZE TO CTS POLY, 1-1/2 INCH BY 1-INCH U-BRANCH SET 12-INCH ON CENTER CONNECTED TO 1 1/2 INCH BALL VALVE NEAR CHAMBER WALL AND WITH 1-INCH BALL VALVES ON EACH BRANCH.
4. DOWNSTREAM WATER SERVICE PIPE DIAMETER SHALL BE THE SAME AS THE WATER METER FOR TEN (10) FEET.
5. 1 1/2 INCH BALL VALVE COMPRESSION COUPLING TO THE CTS PE SERVICE PIPE SHALL BE A MAXIMUM OF 2-INCHES FROM SIDE OF CHAMBER WALL.
6. ALL TAPS SHALL BE BY CITY CREWS



**SECTION VIEW**

**STANDARD DETAIL**  
**2 1" SPLIT FROM 1 1/2" DOUBLE METER SERVICE**  
**WATER METER SERVICES**



SCALE: AS SHOWN	DATE DRAWN	REVISIONS			
		DATE	INITIAL		
DESIGNED	3/06/2017	04/26/2017	DMN	AJS	
DRAWN	MYW	01/01/2022			
APPROVED BY		03/01/2023	JTB		

STANDARD SPECIFICATIONS  
7-09 WATER MAINS  
9-30.6 WATER SERVICE CONNECTIONS

DETAIL NO.  
**W-250C**

PAGE  
**3 OF 4**