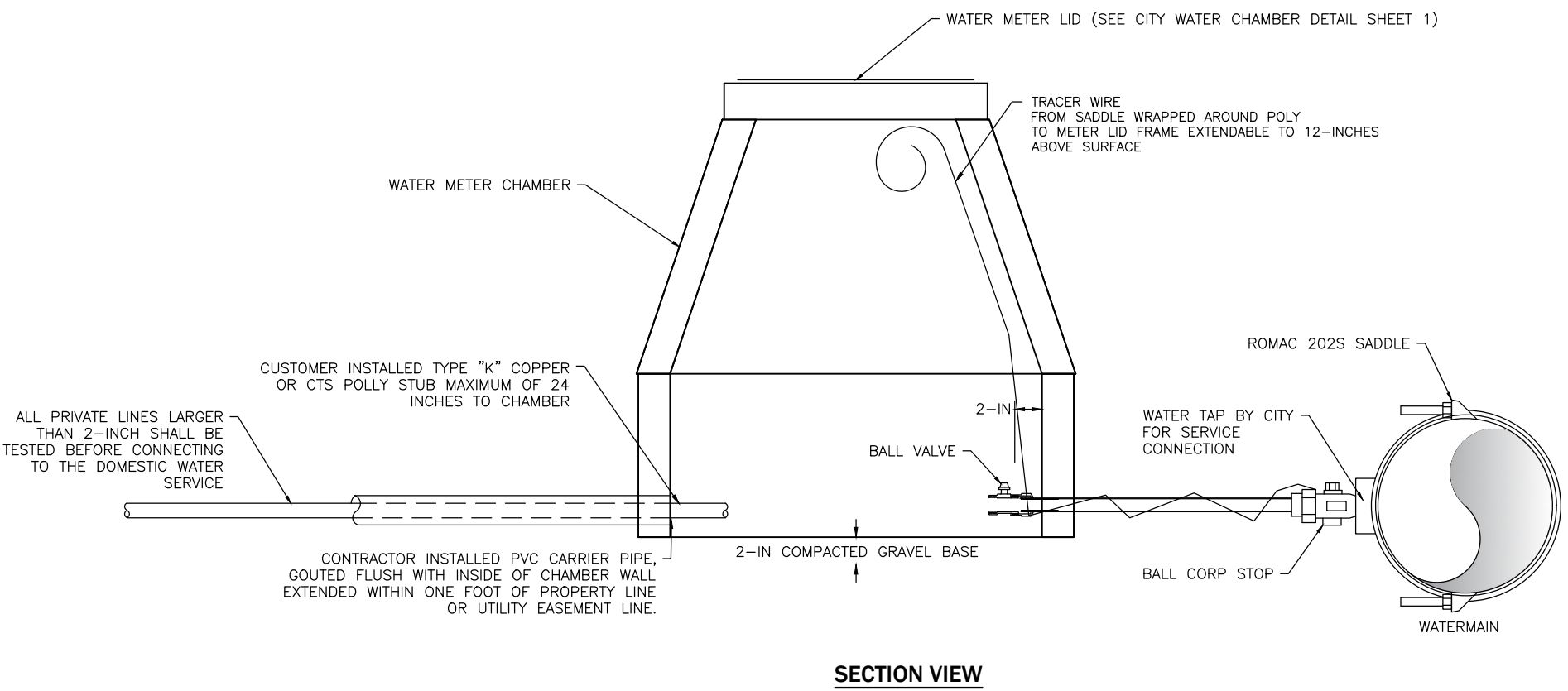


CONTACT CITY OF WENATCHEE WATER DEPARTMENT FOR TURNING OFF/ON WATER INSIDE THE WATER METER CHAMBER OR TO RECONNECT WATER SERVICE. NEW CONSTRUCTION SHALL LEAVE A 3-FOOT TAIL FOR WATER CREWS TO CUT AND CONNECT TO METER. THE CITY OF WENATCHEE STRICTLY PROHIBITS ANYONE FROM ENTERING WATER CHAMBERS OR SHUTTING WATER SERVICE OFF WITHIN METER CHAMBER.

NOTES:

1. MATERIALS SHALL BE SUBMITTED FOR CITY APPROVAL PRIOR TO INSTALLATION.
2. MATERIAL SHALL BE NON-LEAD, SUPPLIERS ARE TYPICALLY: FORD, MEULLER, AND AY MCDONALD.
3. WATCH BALL VALVE SIZE TO CTS POLY, MINIMUM PIPE DIAMETER IS 1 1/2-INCH FOR ALL SINGLE SERVICES FROM WATER MAIN. 1-INCH MINIMUM AS DETERMINED BY CITY.
4. DOWNSTREAM WATER SERVICE PIPE DIAMETER SHALL BE THE SAME AS THE WATER METER FOR TEN (10) FEET.
5. BALL VALVE'S COMPRESSION COUPLING TO THE CTS PE WATER SERVICE PIPE SHALL HAVE INSERT AND BE A MAXIMUM OF 2-INCHES FROM INSIDE OF CHAMBER.
6. ALL TAPS SHALL BE BY CITY CREWS



WATER SERVICES		
SINGLE METER SIZE IN CHAMBER (INCHES)	SERVICE TO CHAMBER (INCHES)	SERVICE FROM CHAMBER (INCHES)
3/4 OR 1/2	1 1/2 *	3/4
1	1 1/2 *	1
1 1/2	1 1/2	1 1/2
2	2	2
* 1-INCH MINIMUM AS DETERMINED BY CITY		

STANDARD DETAIL
1 1/2" OR 2" SINGLE METER SERVICE
WATER METER SERVICES



SCALE: AS SHOWN	DESIGNED	DRAWN	APPROVED BY	REVISIONS			
				DATE	INITIAL	DATE	INITIAL
3/06/2017		MYW		04/26/2017	DMN	01/01/2022	AJS
				03/01/2023	JTB		