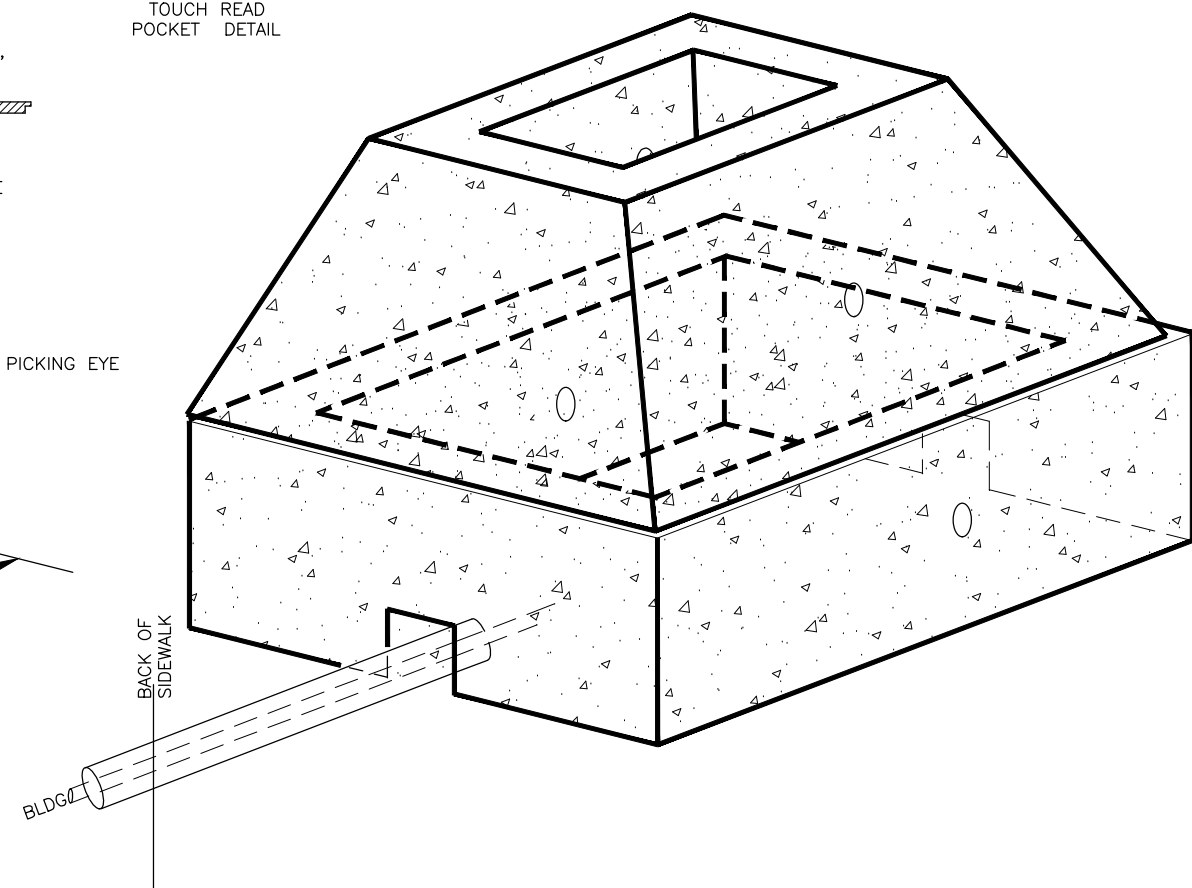
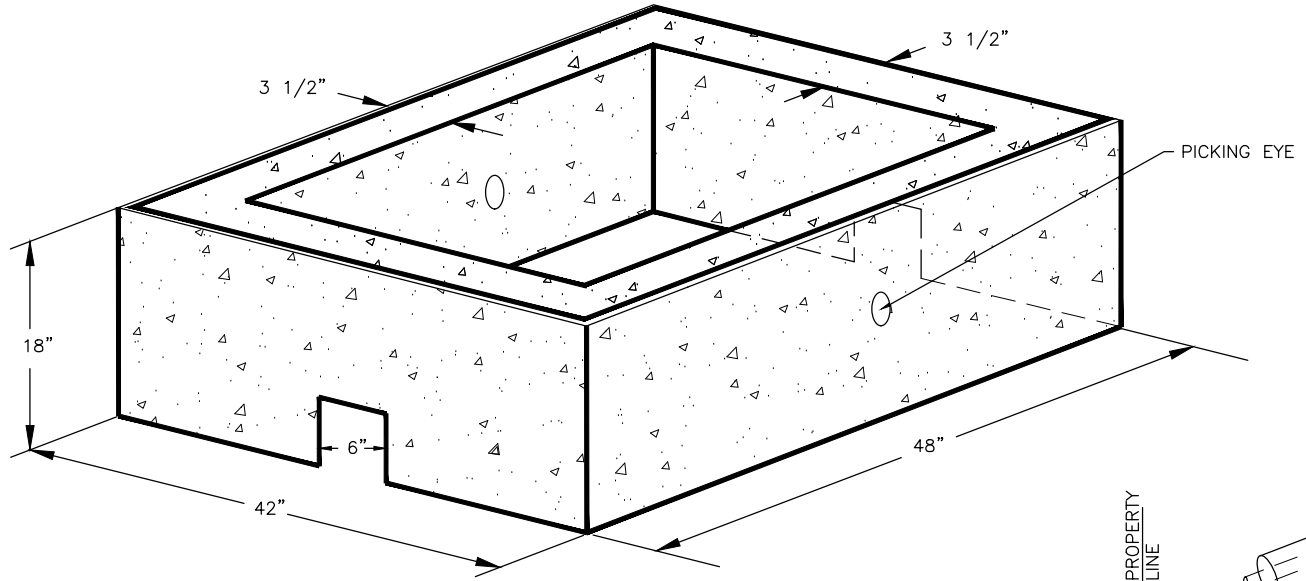
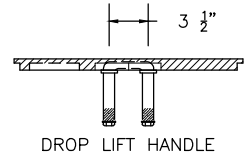
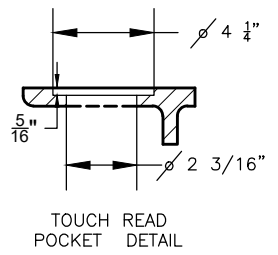
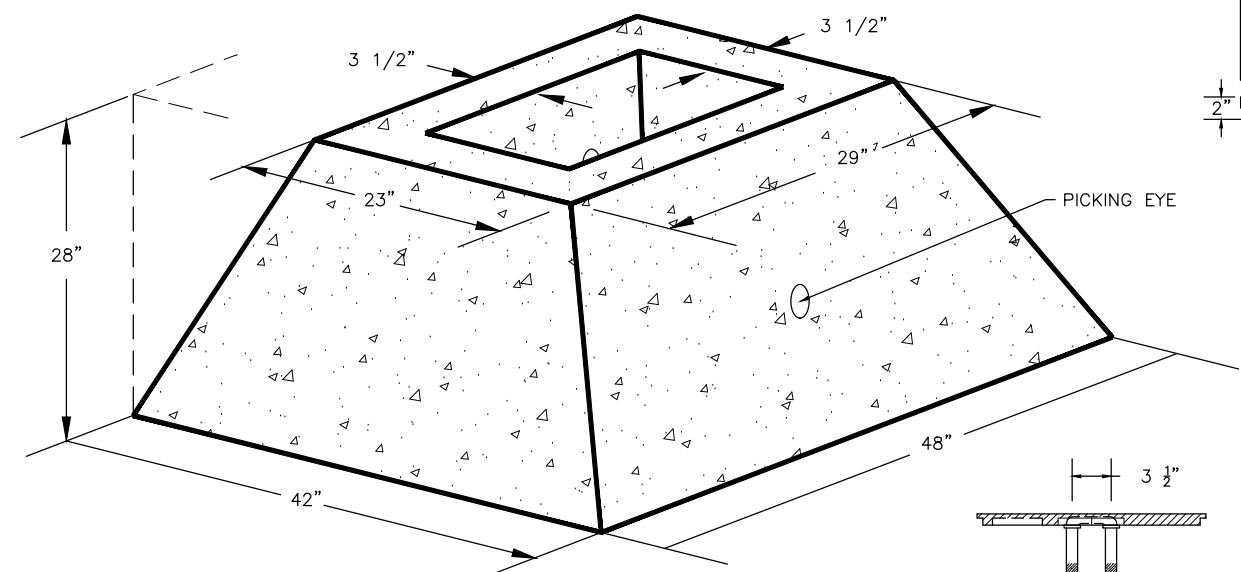
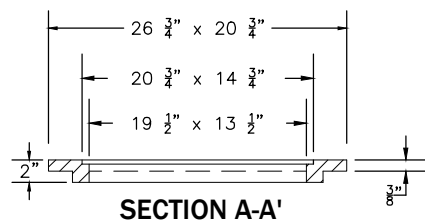


NOTES:

1. MATERIALS SHALL BE SUBMITTED TO THE CITY FOR APPROVAL PRIOR TO INSTALLATION.
2. USE CITY SIDEWALK DETAIL FOR SIDEWALK SURFACING OVER WATER METER CHAMBERS.
3. LOCATE WATER METER CHAMBER UNDER SIDEWALK, SET WATER METER CHAMBER LID FLUSH WITH FINAL SIDEWALK GRADE. WATER METER CHAMBER SHALL BE SET AT A DEPTH TO INCLUDE AT LEAST ONE RISER AND A MAXIMUM DEPTH OF 4-INCH RISER UNLESS OTHERWISE APPROVED.
4. WATER CHAMBER CAST IRON FRAME SHALL HAVE A DEPRESSION FOR PRE-APPROVED "FASTENAL 1/4-INCH X 2 1/2-INCH DRIVE ANCHORS PART NUMBER 50608" OR AS APPROVED BY THE CITY ENGINEER.
5. SERVICE TO PROPERTY SHALL BE IN A CASING. THE CASING SHALL BE A MINIMUM DIAMETER OF 2-INCH PVC PIPE, OR 50% GREATER THAN THE SERVICE PIPE WHICHEVER IS LARGER. THE CASING PIPE SHALL BE GROUTED FLUSH WITH INSIDE EDGE OF CHAMBER AND EXTENDED TO WITHIN 1-FOOT OF THE PROPERTY LINE OR UTILITY EASEMENT LINE.



**STANDARD DETAIL
WATER BOX CHAMBER
WATER METER SERVICES**



SCALE:	DATE DRAWN	DESIGNED	CHECKED	DATE	INITIAL
AS SHOWN	3/06/2017	MYW	DMN	04/26/2017	DMN
				05/16/2017	DMN
				01/01/2022	AJS
				03/01/2023	JTB