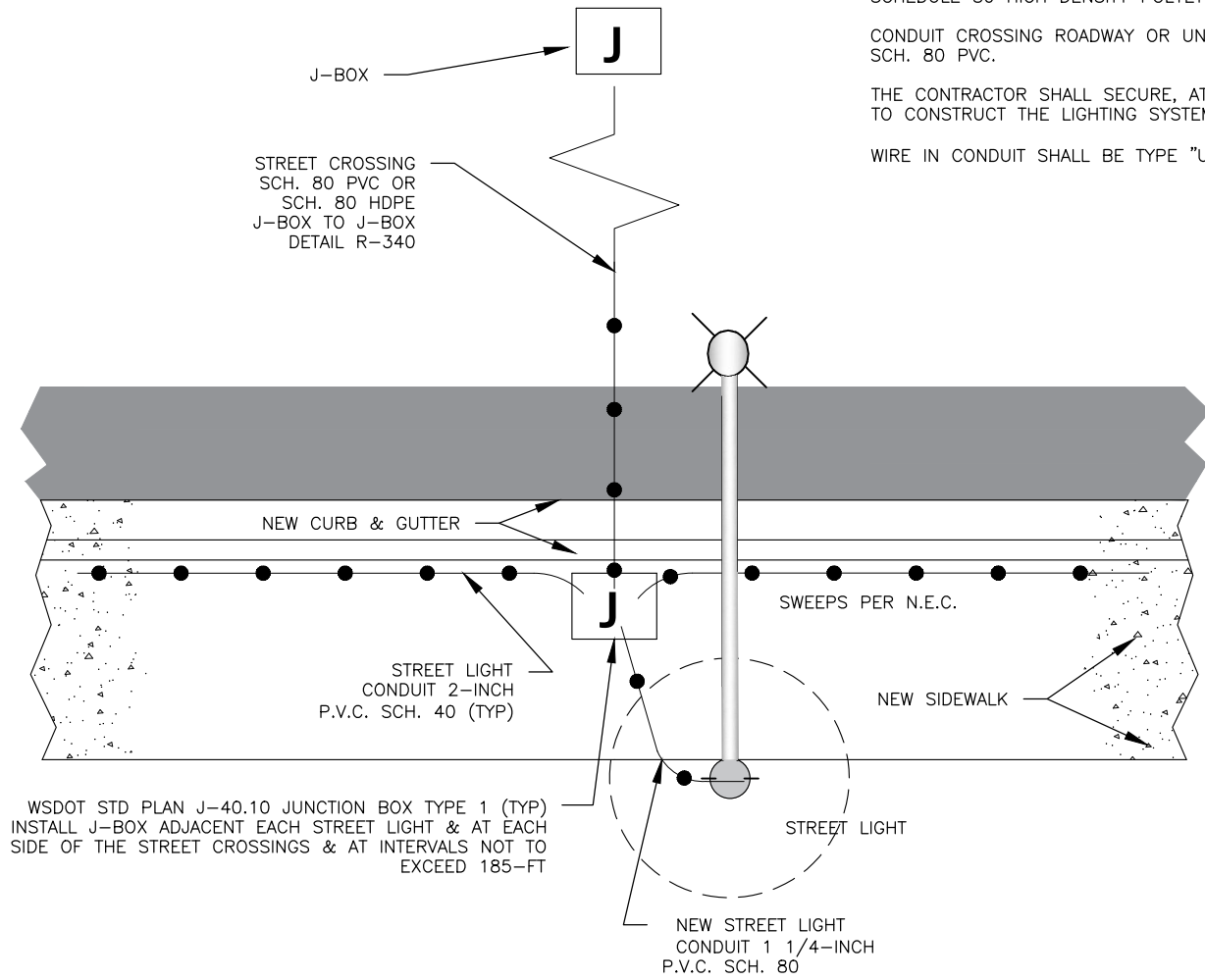


CONDUIT IN PLANTER STRIP OR BACK OF CURB (NOT IN ROADWAY) SHALL BE SCHEDULE 40 PVC OR SCHEDULE 80 HIGH DENSITY POLYETHYLENE (HDPE).

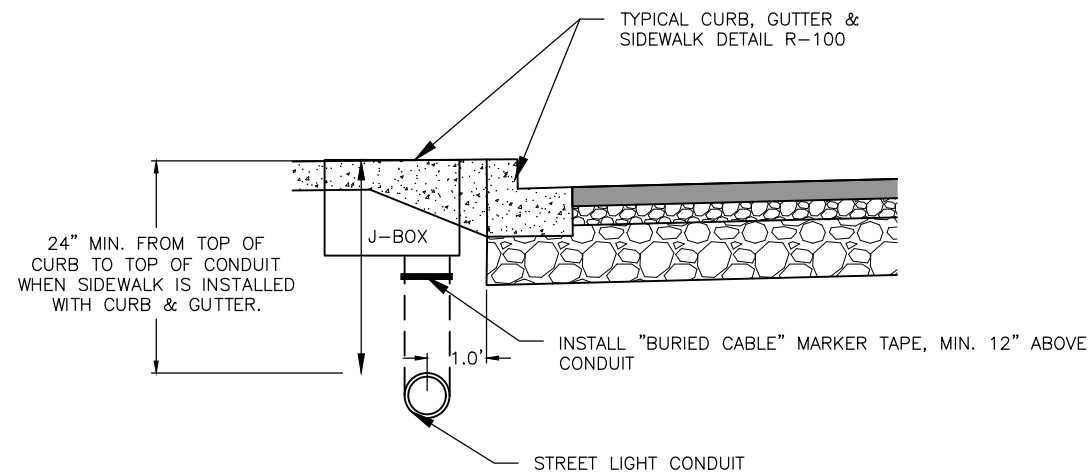
CONDUIT CROSSING ROADWAY OR UNDER ROADWAY SHALL BE SCH. 80 HDPE OR SCH. 80 PVC.

THE CONTRACTOR SHALL SECURE, AT HIS OWN EXPENSE, ALL ELECTRICAL PERMITS TO CONSTRUCT THE LIGHTING SYSTEM.

WIRE IN CONDUIT SHALL BE TYPE "USE".

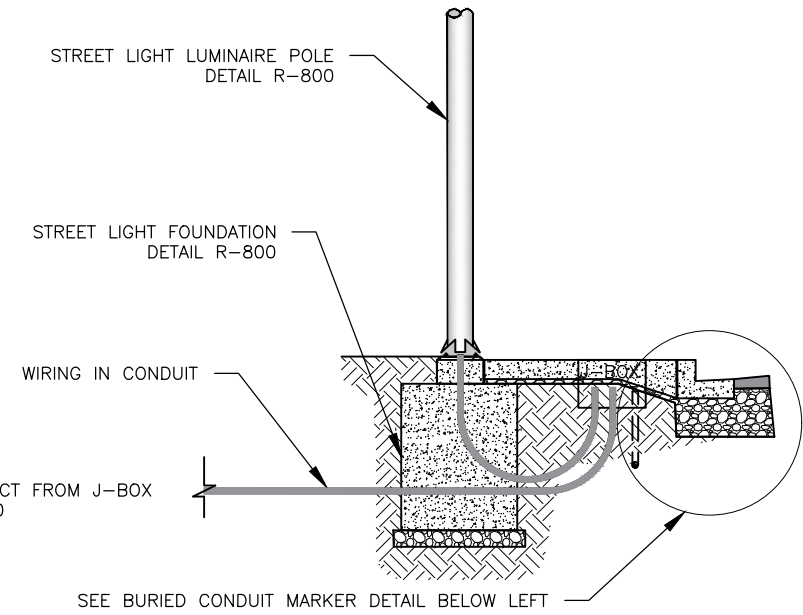


STREET LIGHT CONDUIT LOCATION

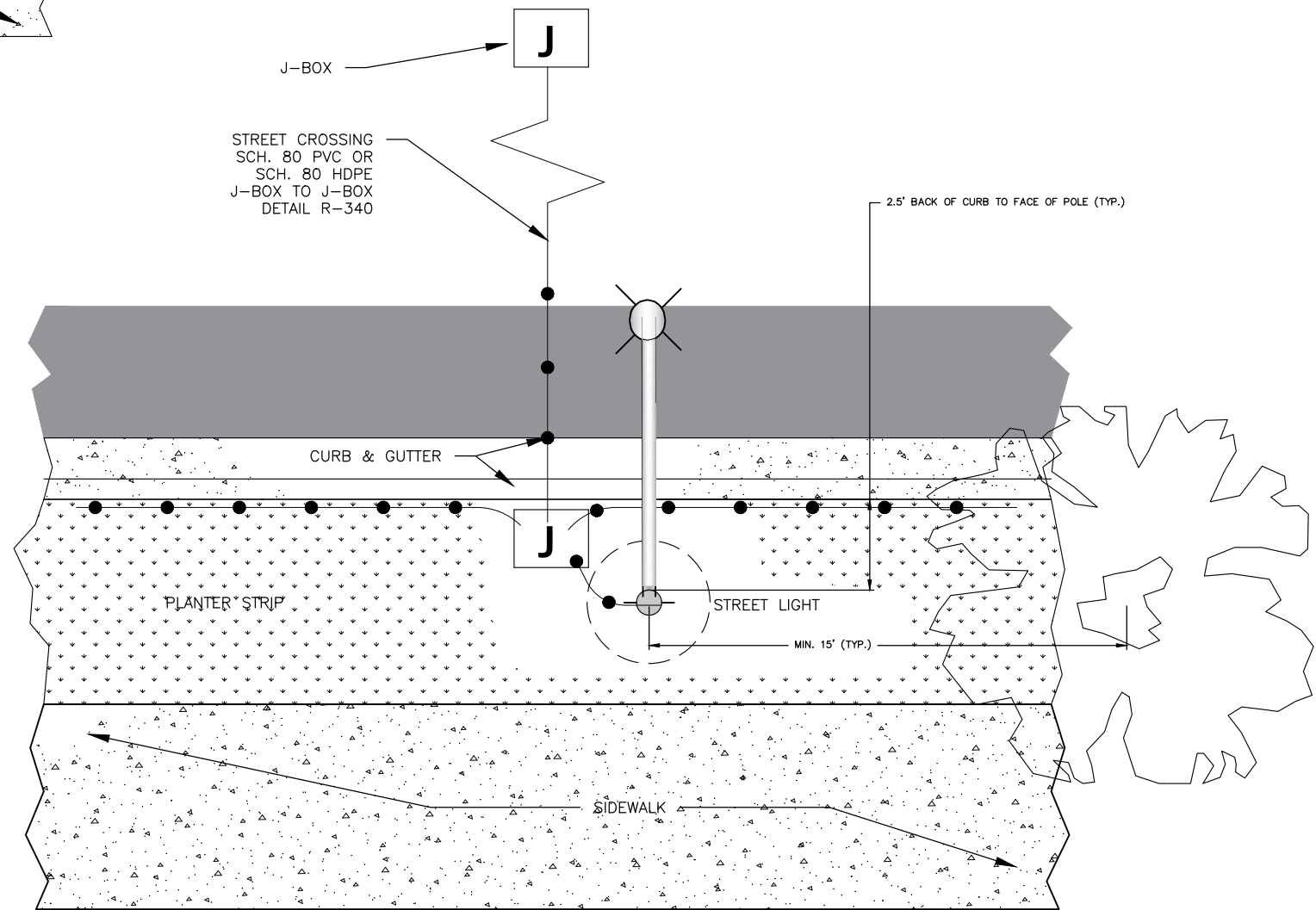


BURIED CONDUIT MARKER

JUNCTION BOX TYPE 1 PER WSDOT STD PLAN J-40.10
STREET LIGHT WIRING DETAILS PER WSDOT STD PLAN J-28.70
TYPICAL GROUNDING DETAILS PER WSDOT STD PLAN J-60.05



SECTION VIEW



STREET LIGHT CONDUIT & J-BOX LOCATION IN PLANTER STRIP

**STANDARD DETAIL
CONDUIT LOCATION
STREET LIGHTING**



SCALE: AS SHOWN	DATE DRAWN	CHECKED	DATE APPROVED	REVISIONS			
				INITIAL	DATE	BY	DATE
N.A.	3/23/2015	DMN		LBV	11/2/2017	DMN	
DESIGNED		RDH		AIS	01/01/2022		
APPROVED BY							

DETAIL NO.
R-815

PAGE
1 OF 1

STANDARD SPECIFICATIONS
8-20 ILLUMINATION
9-29 ILLUMINATION MTL