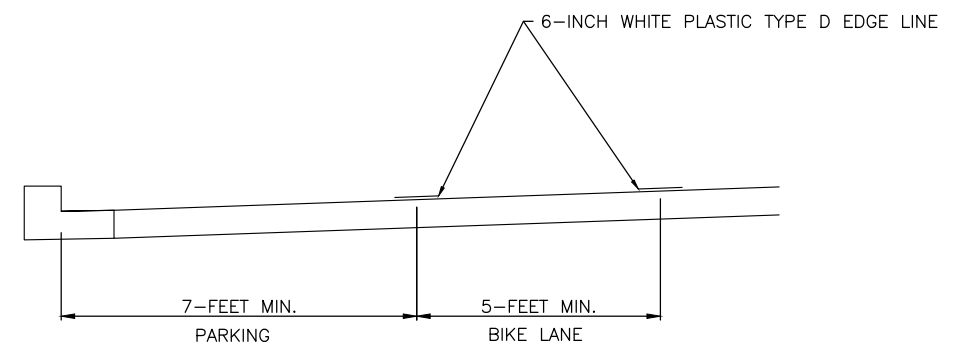


(MEASURED TO FACE OF CURB OR CENTER OF STRIPE)
BICYCLE LANE WITHOUT PARKING



(MEASURED TO FACE OF CURB OR CENTER OF STRIPE)
BICYCLE LANE WITH PARKING

NOTES:

1. SEE MUTCD FOR MORE INFORMATION AND SPECIFICATIONS.
2. PER SEC. 9B.04 2009 MUTCD, DO NOT USE R3-17 SIGNS.
3. BICYCLIST SYMBOLS PER R-550A.
4. LONG LINE MARKINGS SHALL BE PAVEMENT MARKING MATERIAL PER SECTION 9.34.1 TYPE D - MMA
5. TRANSVERSE AND SYMBOL MARKINGS SHALL BE PAVEMENT MARKING MATERIAL PER SECTION 9-34.1 TYPE A.

**STANDARD DETAIL
TYPICAL BICYCLE LANE**



SCALE: AS SHOWN	DATE DRAWN 10/05/2020	REVISIONS		
		DATE	INITIAL	
DESIGNED	CHECKED	01/01/2022	AJS	
APPROVED BY	DATE APPROVED	03/31/2023	JTB	
DRAWN CAW				

DETAIL NO.
R-550B

PAGE
2 OF 4