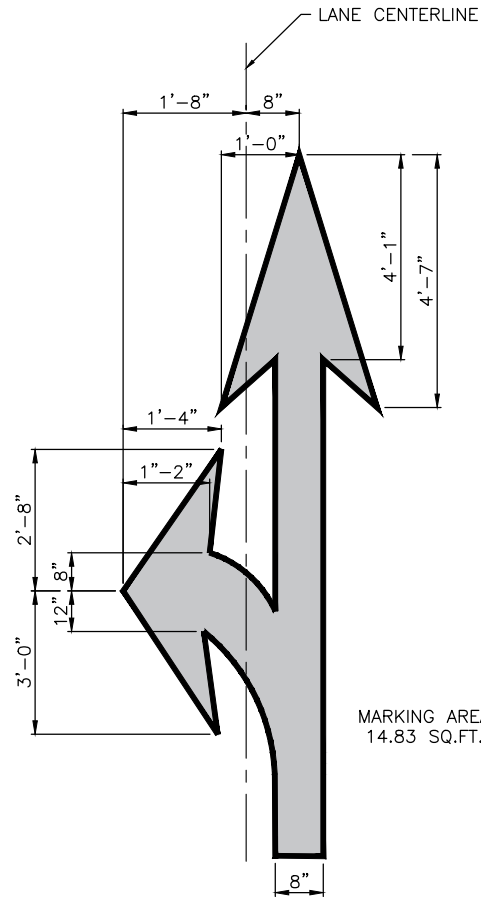
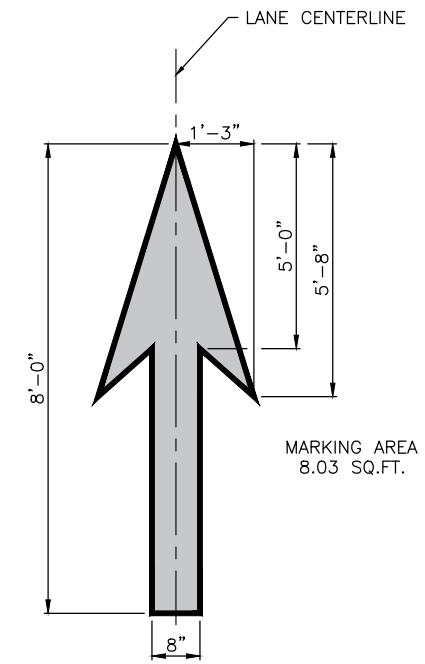


WSDOT STANDARD PLAN M-24.40-02
TURN ARROW
 N.T.S.



WSDOT STANDARD PLAN M-24.40-02
COMBINATION ARROW
 N.T.S.



WSDOT STANDARD PLAN M-24.40-02
STRAIGHT ARROW
 N.T.S.

**STANDARD DETAIL
 PAVEMENT MARKINGS
 ARROW**



SCALE: AS SHOWN	DATE DRAWN	REVISIONS	
		DATE	INITIAL
DESIGNED	02/21/2006	12/21/2020	CAW
DRAWN	RLK	01/01/2022	AJS
CHECKED	SK		
APPROVED BY	DATE APPROVED		
STANDARD SPECIFICATIONS			

DETAIL NO.
R-500A