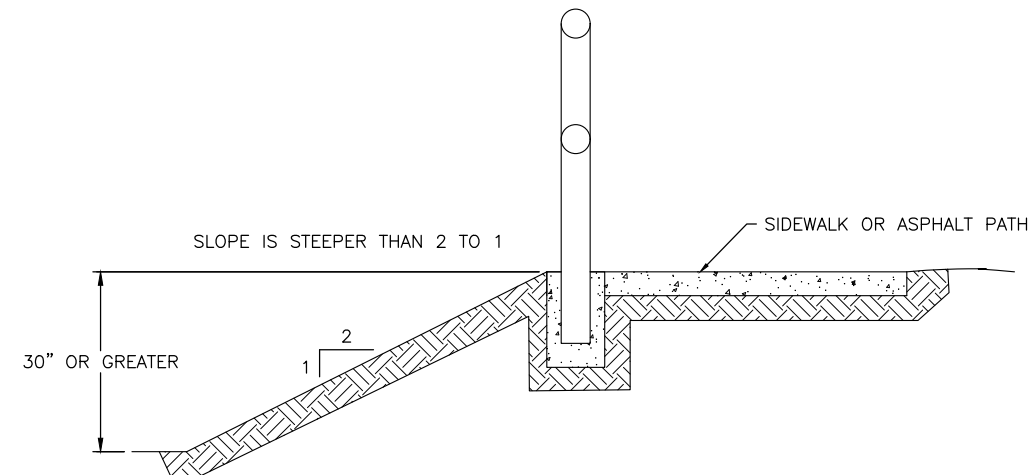


CONDITION 1



CONDITION 2

NOTES:

1. SAFETY RAIL TYPE AND INSTALLATION TO BE SPECIFIED BY THE REVIEW ENGINEER.
2. SEE R-451 AND R-452 FOR SAFETY RAILINGS.

**STANDARD DETAIL
CONDITIONS REQUIRING
SAFETY RAILINGS**



SCALE: AS SHOWN	DATE DRAWN 10/20/2020	REVISIONS	
		DATE	INITIAL
DESIGNED	CHECKED	03/31/2023	JTB
DRAWN CAW			
APPROVED BY	DATE APPROVED		
STANDARD SPECIFICATIONS			

DETAIL NO.
R-450A

PAGE
1 OF 3