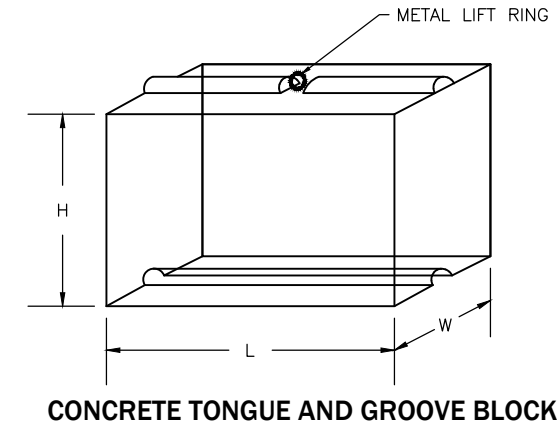


**STANDARD DETAIL  
ECOLOGY BLOCK  
WALL IN ROW**



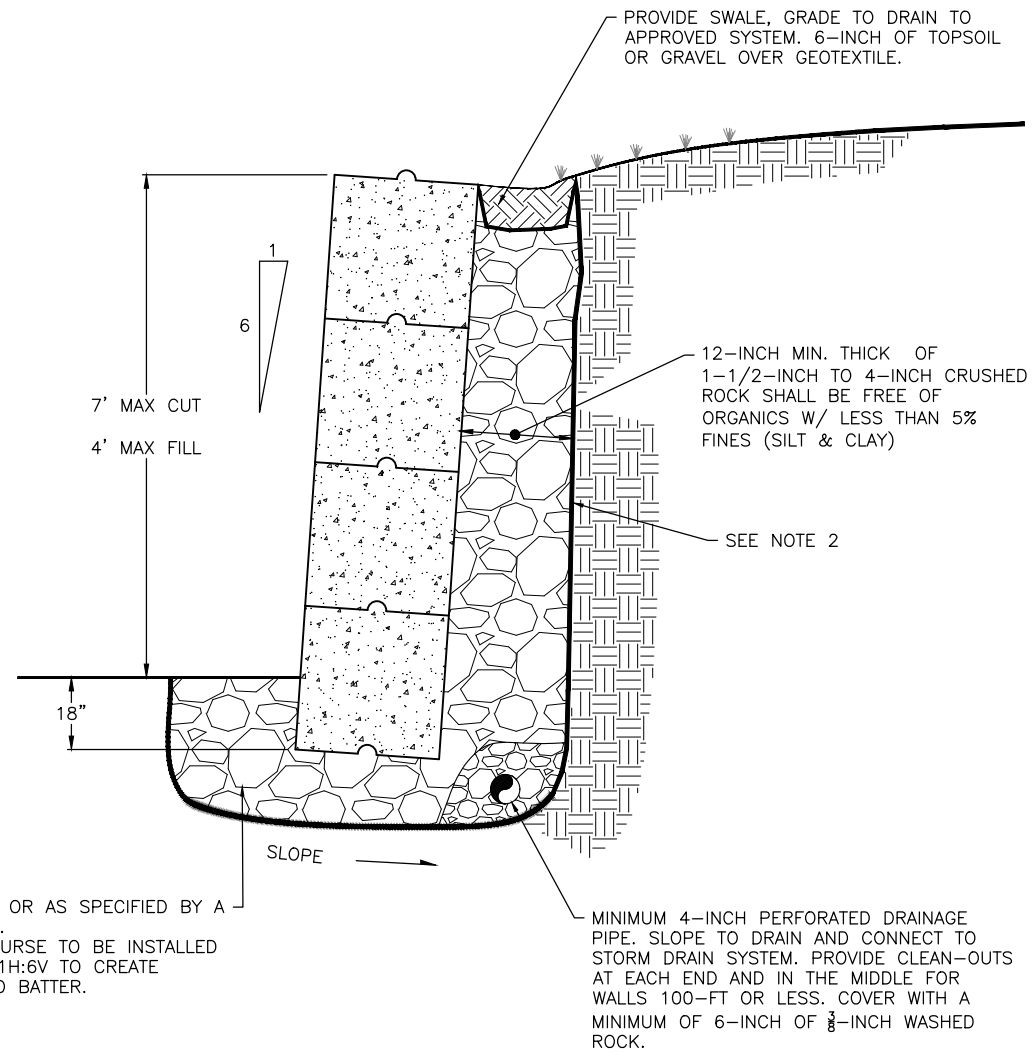
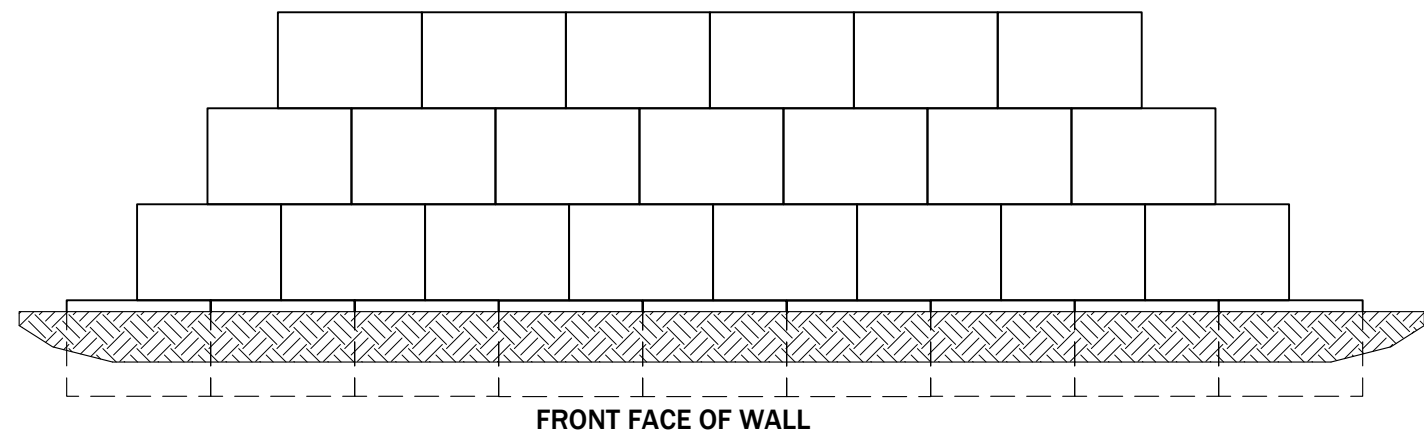
SCALE: AS SHOWN	DESIGNED	CAW	APPROVED BY	STANDARD SPECIFICATIONS
	DRAWN	CAW		
DATE DRAWN	10/23/2020	CHECKED	DATE APPROVED	
REVISIONS	DATE	INITIAL	DATE	INITIAL
	9/3/2021	CAW	01/01/2022	AJS
	01/01/2022	AJS	03/31/2023	JTB

DETAIL NO.  
**R-420**  
PAGE  
**1 OF 1**



**SIZES**

H	L	W
2'-0"	3'-0"	2'-0"
2'-0"	6'-0"	2'-0"



**NOTES:**

- MAX DEPTH OF CUT SHALL BE 8 FEET, AND MAX DEPTH OF FILL SHALL BE 4 FEET OR AS APPROVED BY GEOTECHNICAL ENGINEER. IN ANY CASE, THE CITY MAY REQUIRE INSPECTION AND APPROVAL BY A GEOTECHNICAL ENGINEER.
- FILTER FABRIC SHALL BE MIRAFI 140 N SERIES OR APPROVED EQUAL.
- SPALLS MAY NOT BE NEEDED AT BASE OF ROCKERY IF NATIVE FOUNDATION MATERIAL IS SUITABLE AS DETERMINED BY THE GEOTECHNICAL ENGINEER OR THE CITY OF WENATCHEE.