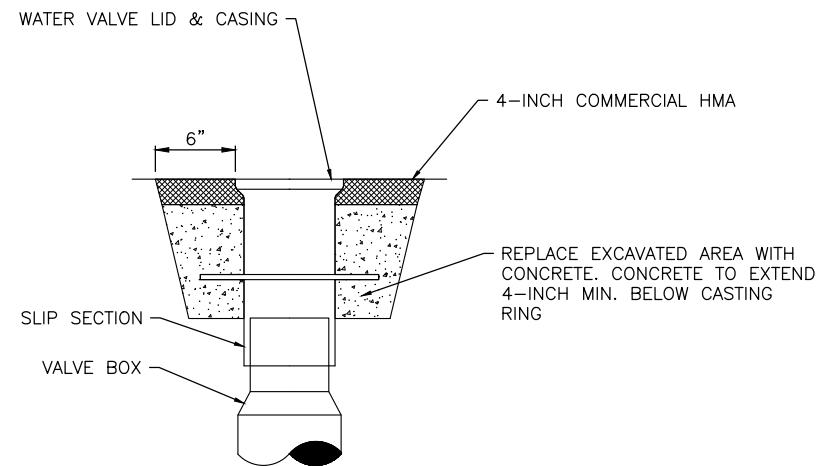


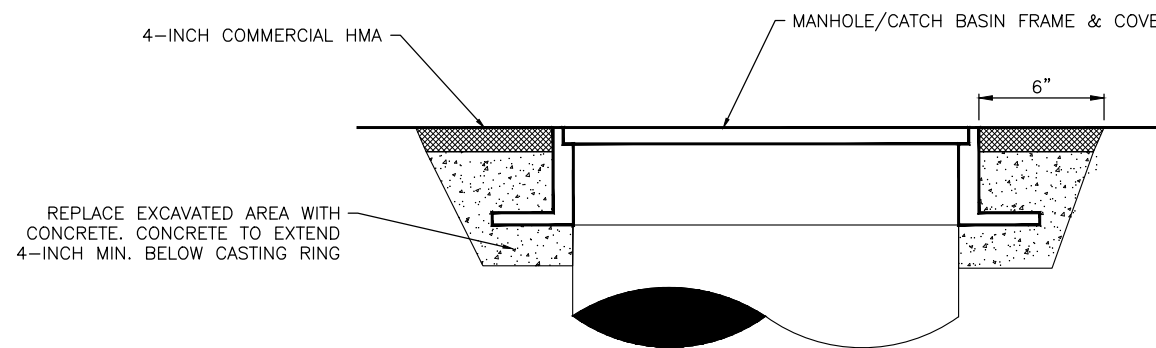
MONUMENT ADJUSTMENT DETAIL

N.T.S.



WATER VALVE ADJUSTMENT DETAIL

N.T.S.



MANHOLE, CATCH BASIN ADJUSTMENT DETAIL

N.T.S.

NOTES:

1. THE HIGHEST POINT ON THE CASING, RING, OR COVER SHALL BE NO LESS THAN FLUSH AND NO MORE THAN $\frac{1}{8}$ -INCH BELOW FINISHED GRADE.
2. USE PRE-CAST CONCRETE ADJUSTING RINGS TO RAISE THE FRAMES ON MANHOLES AND CATCH BASINS.
3. ADJUSTING RINGS SHALL BE GROUTED INSIDE AND OUT USING 6000 P.S.I. GROUT.
4. ASPHALT PATCH TO MATCH THE ADJACENT ASPHALT SURFACES.

**STANDARD DETAIL
UTILITY ADJUST**



SCALE: AS SHOWN	DATE DRAWN	REVISIONS		
		DATE	INITIAL	
DESIGNED	02/06	08/20	CAW	
DRAWN	CHECKED	01/01/2022	AIS	
APPROVED BY	DATE APPROVED	03/31/2023	JTB	
STANDARD SPECIFICATIONS				

DETAIL NO.

R-330

PAGE

1 OF 1