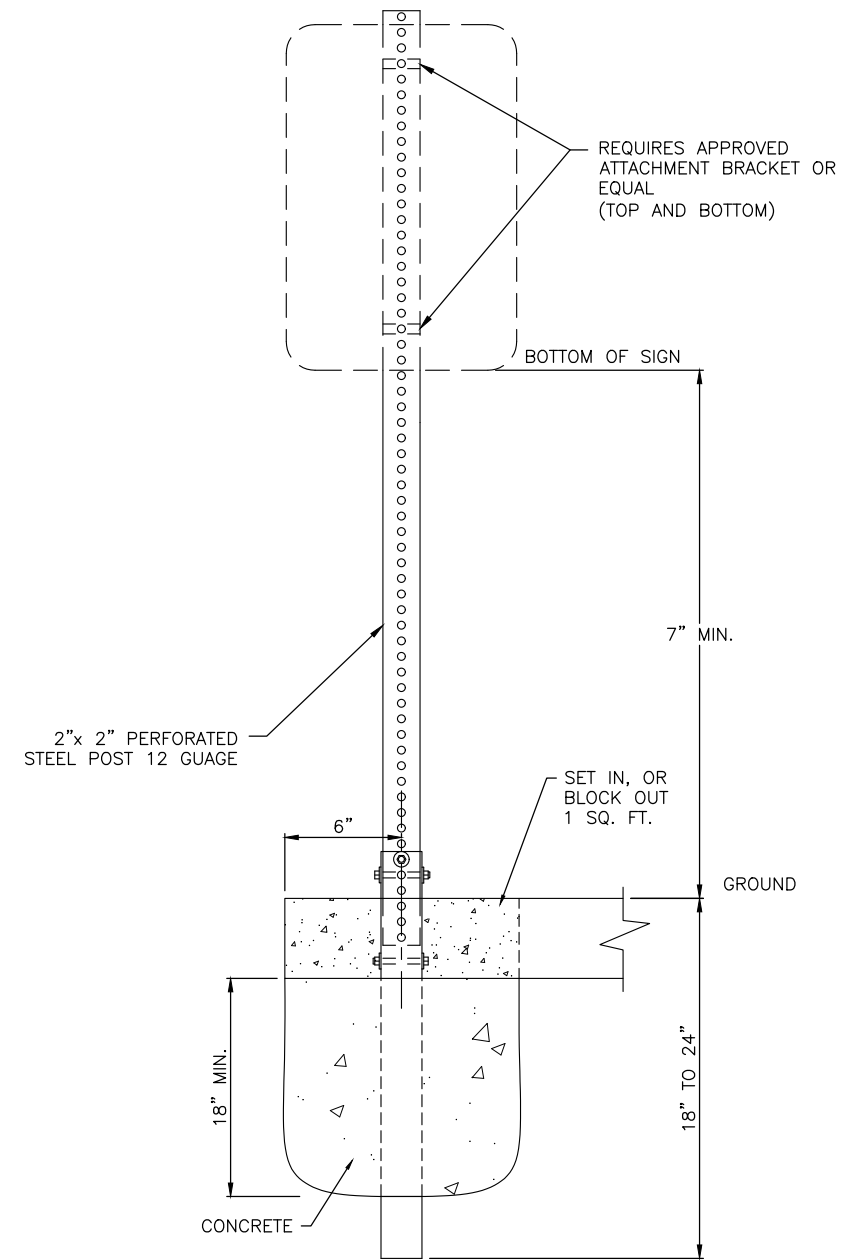


TYPICAL SIGN POST INSTALLATION
N.T.S.



R7 - 1

NOTES:

1. SEE R-200 FOR DETAILS ON BASE.
2. IF ROW PERMITS SIGN POST INSTALLATION BEHIND SIDEWALK, 12"-18" FROM BACK OF WALK PREFERRED.
3. NO PARKING SIGN MAY USE "HERE TO CORNER" IN PLACE OF "ANY TIME" OR AS SPECIFIED BY THE CITY.
4. REGULATORY MUTCD SIGNS THICKNESS 0.080-IN ALUMINUM SHEET FOR 36-IN AND SMALLER SIZES.

**STANDARD DETAIL
SIGN PLACEMENT
NEAR SIDEWALKS**



| SCALE: AS SHOWN | DATE DRAWN | DESIGNED | DRAWN | APPROVED BY | REVISIONS | | | | |
|-----------------|------------|----------|-------|-------------|------------|---------|------------|---------|--|
| | | | | | DATE | INITIAL | DATE | INITIAL | |
| | | | | | 09/21 | CAW | 01/12/2022 | AJS | |
| | | | | | 03/31/2023 | JTB | | | |

DETAIL NO.
R-210

PAGE
1 of 1