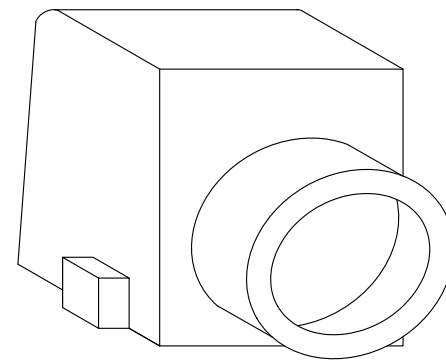
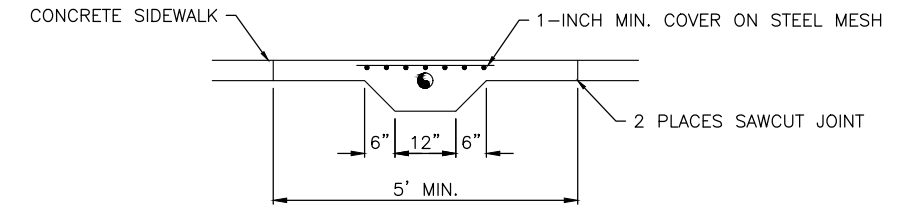


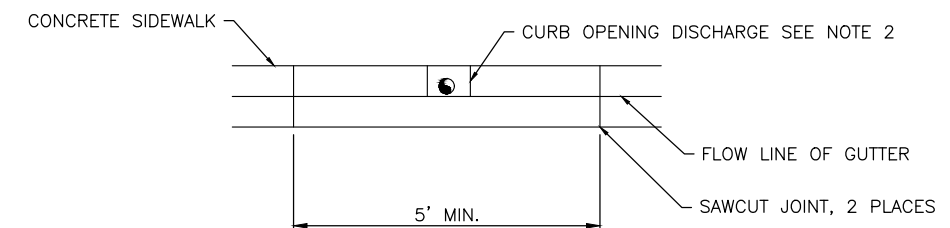
CURB DRAIN FRONT



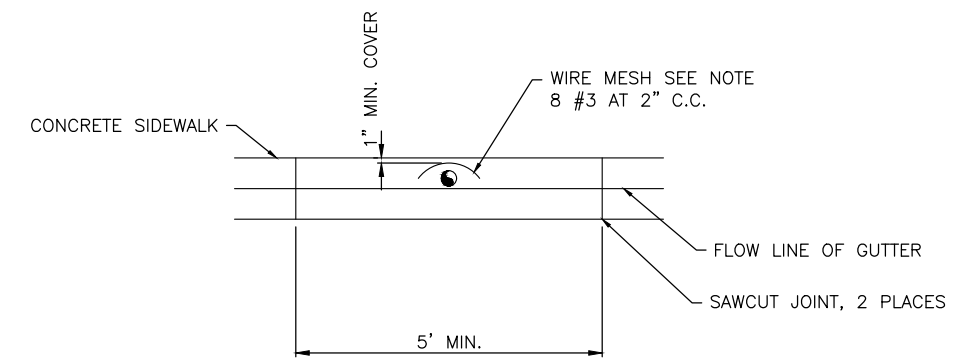
CURB DRAIN BACK



SECTION A-A
N.T.S.



SECTION B-B
N.T.S.



SECTION B-B (ALTERNATE)
N.T.S.

NOTES:

1. PIPE SHALL BE 3-INCH DIAMETER PVC PLASTIC PIPE (SCH 40).
2. USE NEENAH FOUNDRY PRODUCT R-3262-3 OR EQUAL AS APPROVED BY CITY.
3. CEMENT CONCRETE SHALL BE CLASS B (3-INCH).
4. REINFORCING BAR SHALL BE #3 (3/8-INCH DEFORMED BAR).
5. SIDEWALK AND CURBING MUST BE SAW-CUT AT A DUMMY JOINT OR REMOVED TO A FULL EXPANSION JOINT.
6. SIDEWALK THICKNESS OF 4-INCH MINIMUM.
7. FULL DEPTH OF CURB AND GUTTER MUST BE REMOVED AND REPLACED.
8. WIRE MESH SHALL BE 3X3 10 GAUGE.
9. ALTERNATE TO BE USED ONLY WITH APPROVAL FROM CITY.
- 10 ONLY FOR USE IN AREAS WITHOUT EXISTING STORM SYSTEMS

**STANDARD DETAIL
RESIDENTIAL SIDEWALK
DRAIN**



SCALE: AS SHOWN	DESIGNED	DRAWN CAW	APPROVED BY	DATE APPROVED	REVISIONS	
					DATE	INITIAL
					01/01/2022	AJS
					03/31/2023	JTB