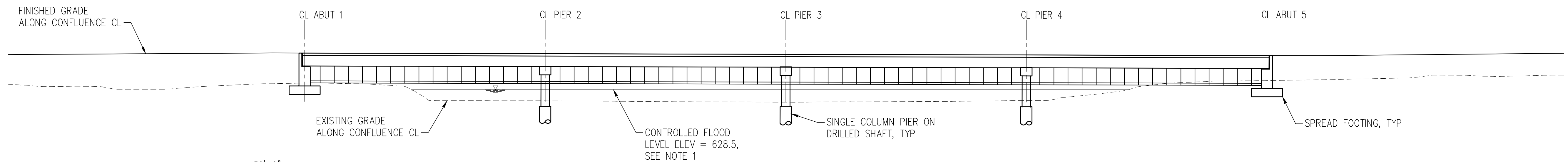
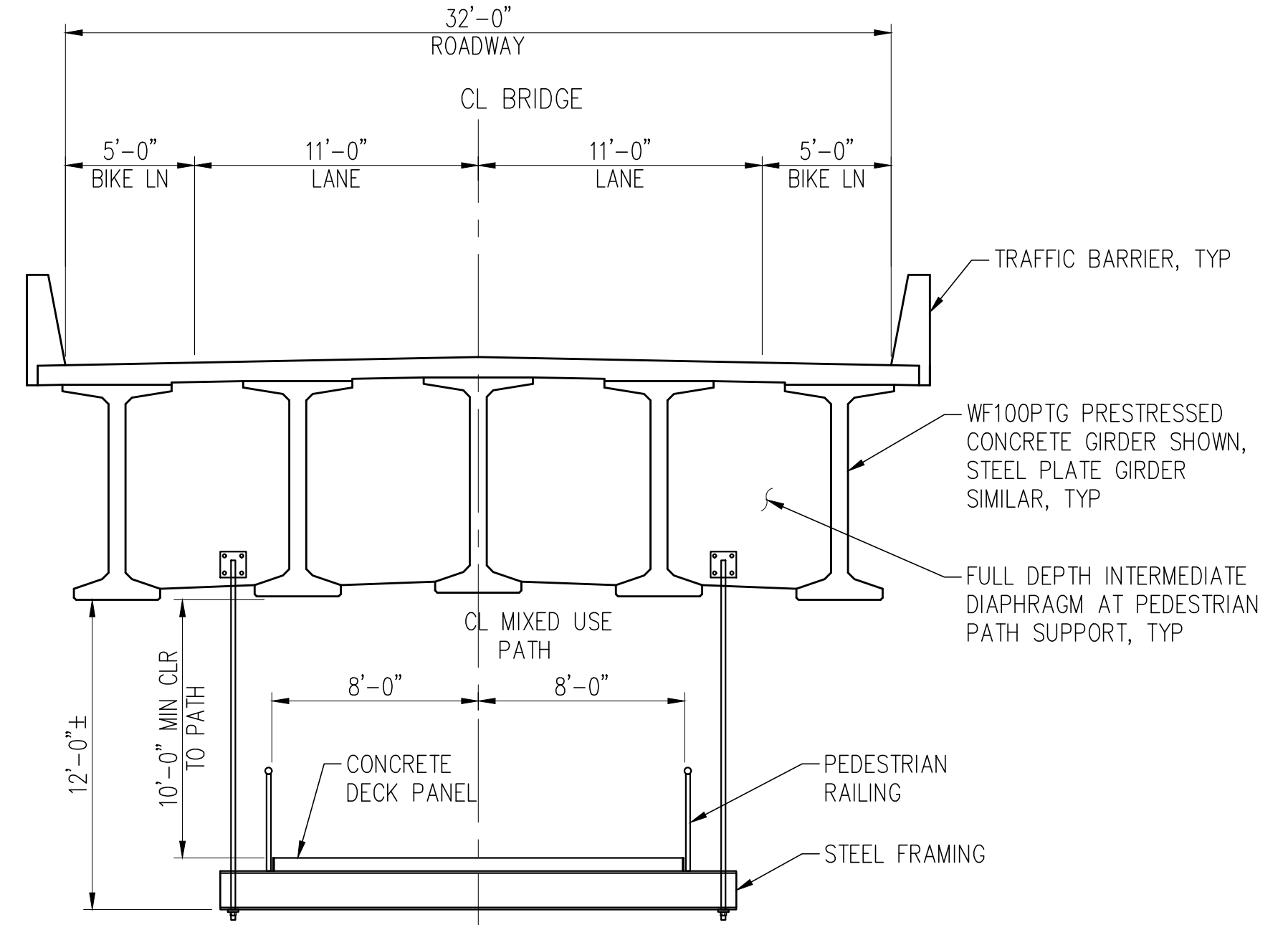


PLAN
SCALE: 1" = 40'



ELEVATION
SCALE: 1" = 40'



TYPICAL SECTION A-A
SCALE: 3/16" = 1'-0"

NOTES

1. FLOOD ELEVATION TAKEN FROM CONFLUENCE PARKS PEDESTRIAN BRIDGE PLAN DATED OCTOBER 1987, TO BE VERIFIED.
2. ROADWAY PROFILE INCREASED APPROX 0.75 FT TO PROVIDE 3 FT FREEBOARD TO FLOOD ELEVATION @ PEDESTRIAN FACILITY.

CAD USER: RubiNJ PLOT DATE: Feb 10, 2020-11:02am
PATH: V:\1800647 (Confluence Pkwy Bridge Study)\Design (v2019)\S-106.dwg

1601 5th Avenue, Suite 1600
Seattle, WA 98101
206.622.5822
www.kpff.com

NO.	DATE	BY	REVISION

CONFLUENCE PKWY BRIDGE STUDY
WENATCHEE, WA

OPTION 6: INTERGRATED PEDESTRIAN FACILITY
BRIDGE PLAN AND ELEVATION

DRAWN: SQ	PROJECT NO.: 1800647
DESIGN: LT	SCALE: AS SHOWN
CHECKED: AO	DATE: JAN XX, 2020
DRAWING NO.	S-106
SHEET NO.	OF XX