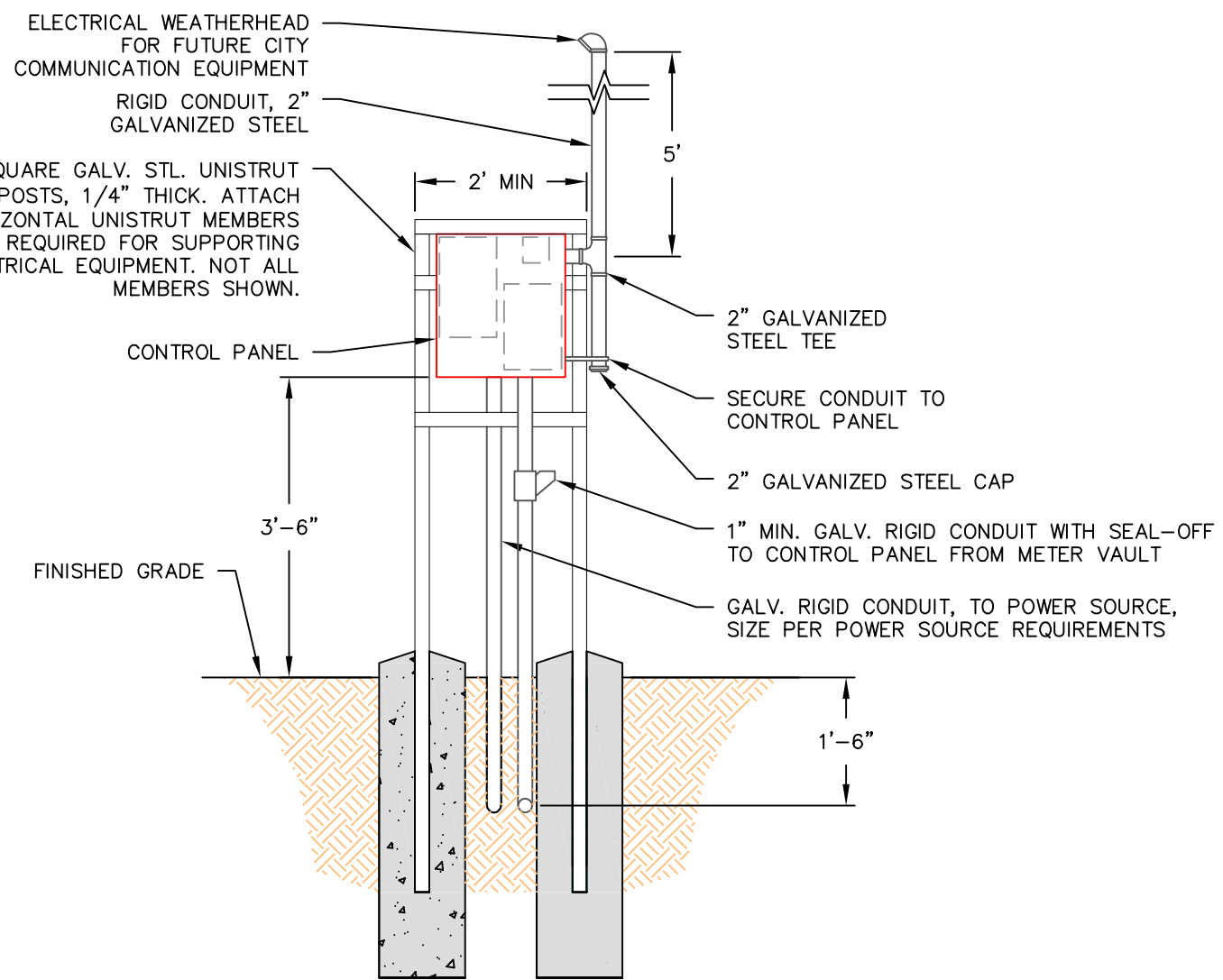
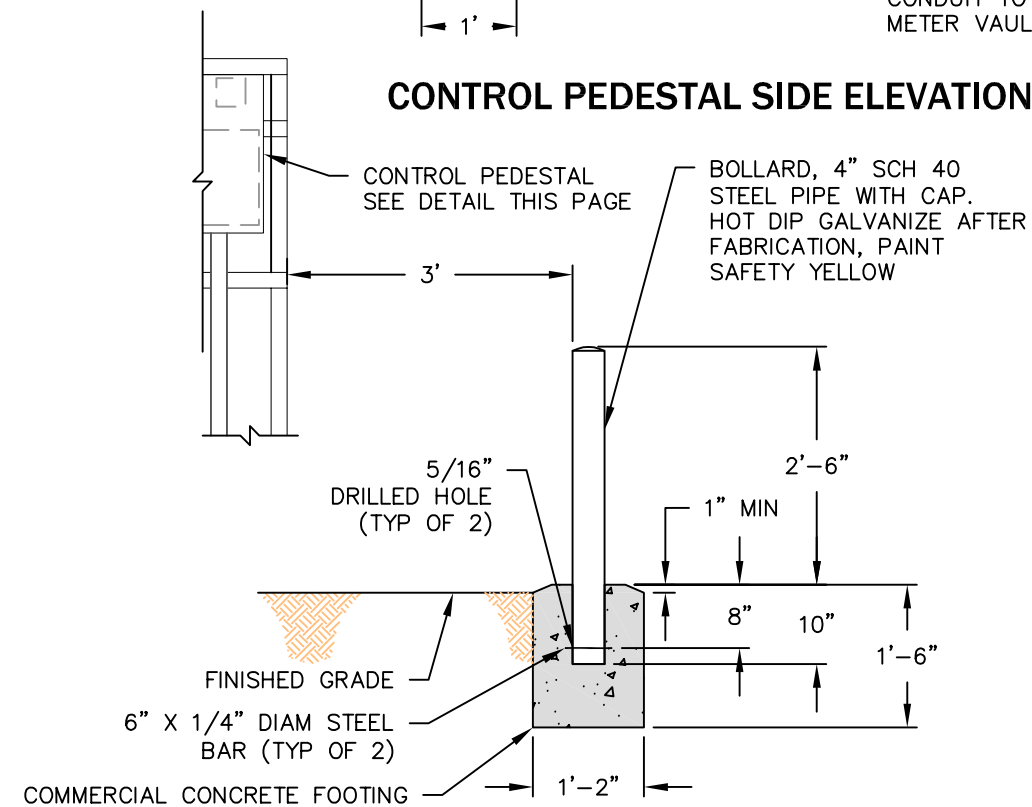


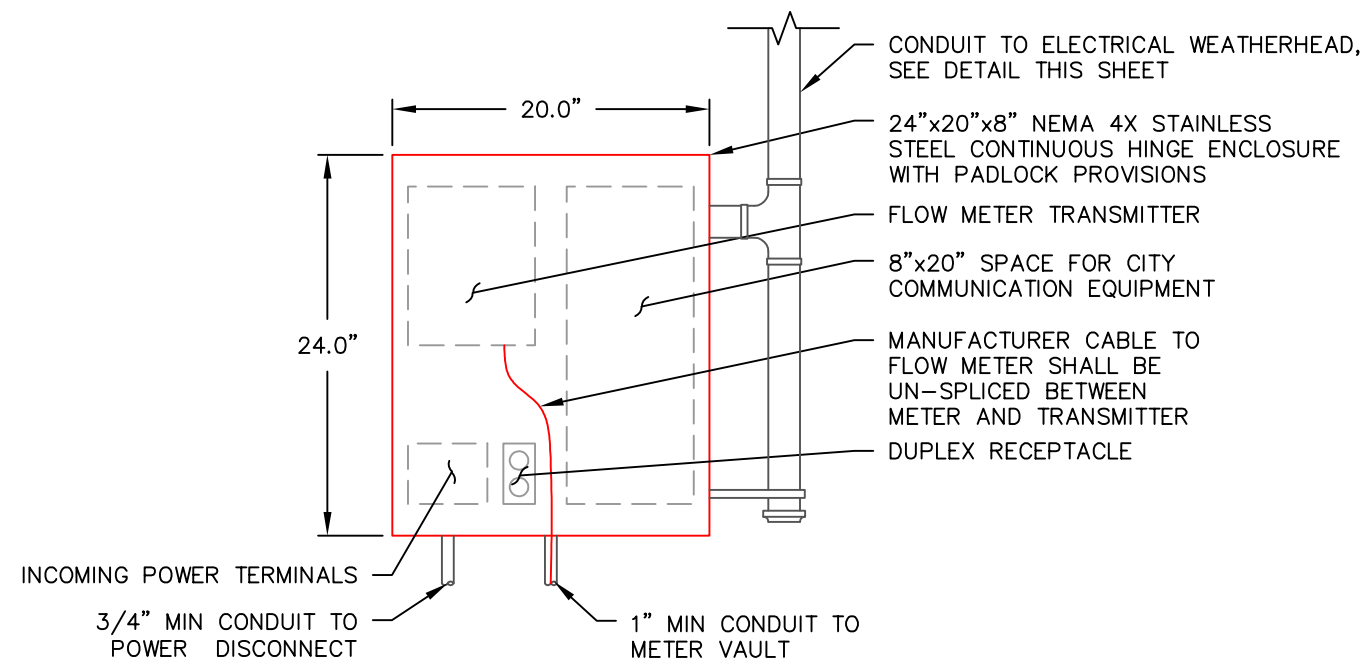
CONTROL PEDESTAL SIDE ELEVATION



CONTROL PEDESTAL FRONT ELEVATION



CONTROL PANEL BOLLARD



CONTROL PANEL LAYOUT

STANDARD DETAIL
SEWER CONTROL PEDESTAL



SCALE: AS SHOWN	DESIGNED	DRAWN	CHECKED	DATE APPROVED	REVISIONS	
					DATE	INITIAL
NA					12/21/2020	CAW