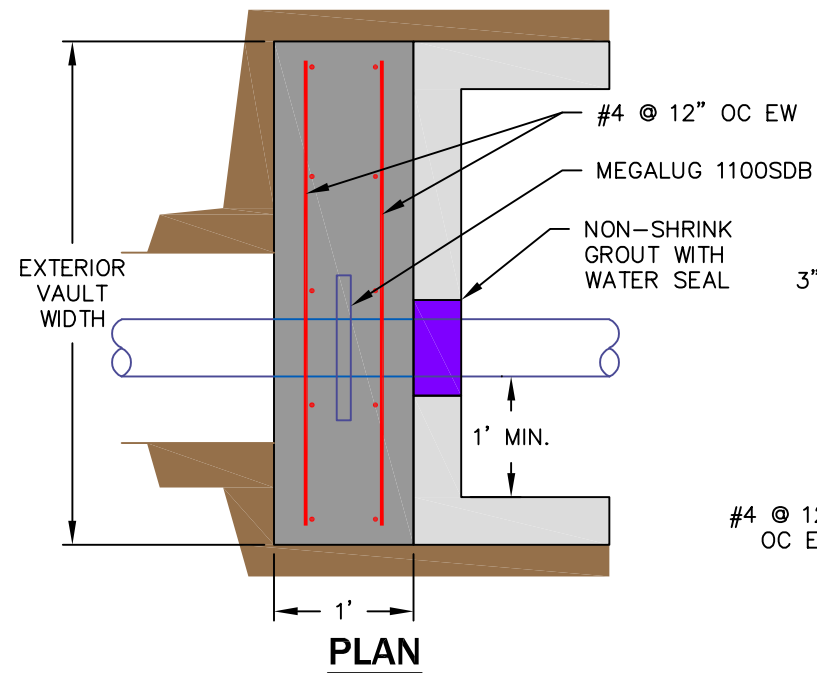
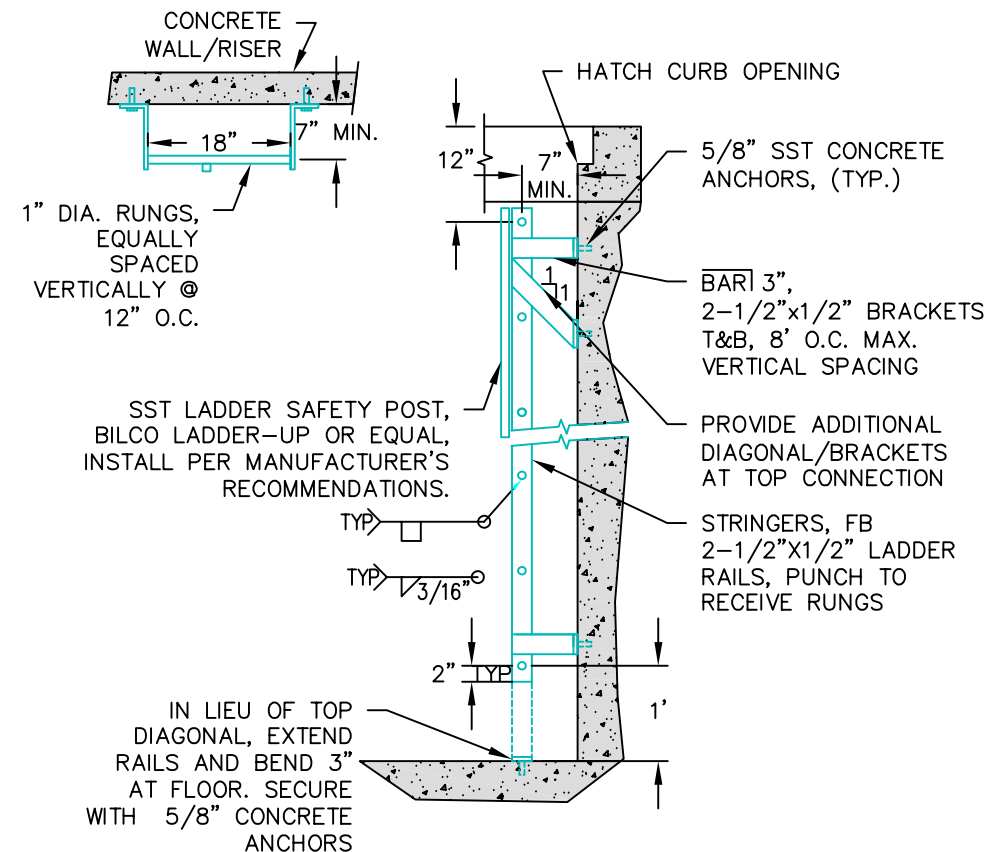
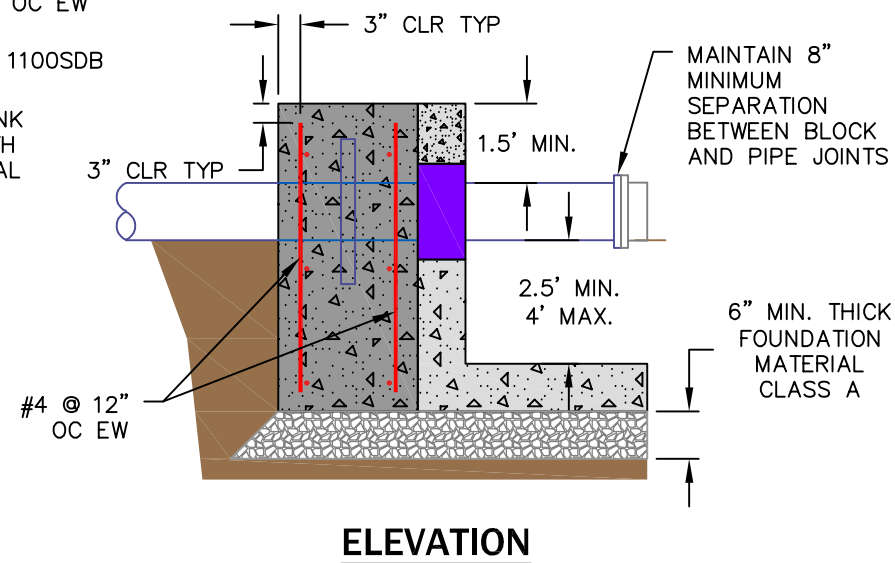


- GENERAL ADJUSTMENT NOTES:
1. THE HIGHEST POINT ON THE CASING, RING, OR COVER SHALL BE NO LESS THAN FLUSH AND NO MORE THAN 1/8" BELOW ASPHALT SURFACE.
 2. COMMERCIAL CONCRETE COLLAR MUST BE GIVEN 3 DAYS CURE TIME PRIOR TO ASPHALT CAP PLACEMENT. TIME MAY BE REDUCED WITH ENGINEER APPROVAL.
 3. REMOVE ASPHALT AS NECESSARY IN CIRCULAR PATTERN WITH A MINIMUM OF 8 EDGES.

- NOTES:
1. LADDERS SHALL BE ALUMINUM.
 2. LADDER MUST MEET CONSTRUCTION REQUIREMENTS OF ANSI A14.3



PIPE RESTRAINT



LADDER DETAIL FOR ELECTROMAGNETIC METER

STANDARD DETAIL
ELECTROMAGNETIC SEWAGE
FLOW METER DETAILS



SCALE:	AS SHOWN	DESIGNED BY	APPROVED BY	STANDARD SPECIFICATIONS
DATE DRAWN	NA	CHECKED	DATE APPROVED	
REVISIONS	INITIAL	DATE	DATE	
	CAW	12/21/2020		