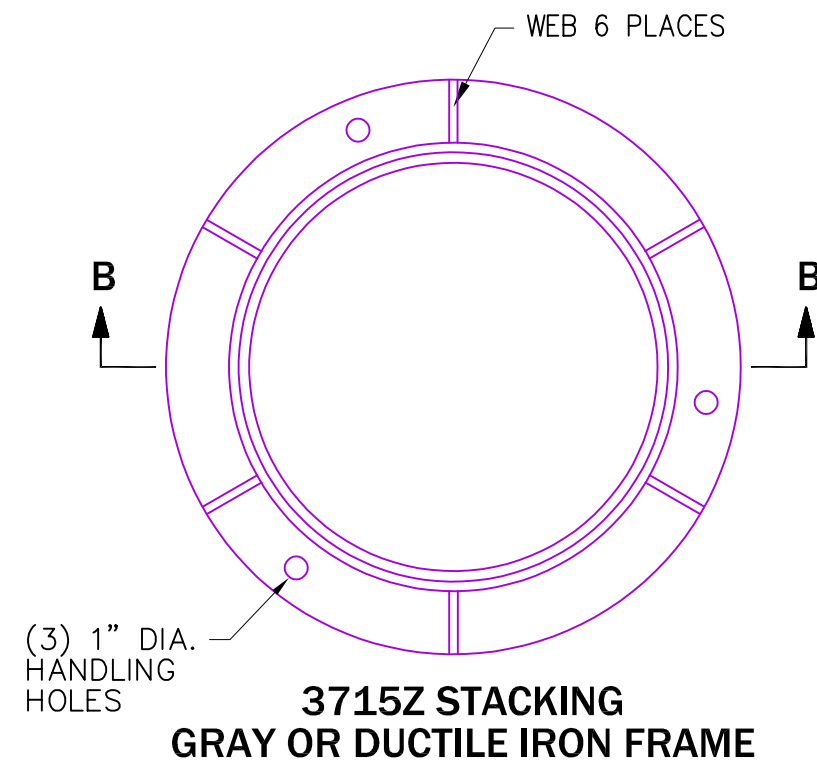
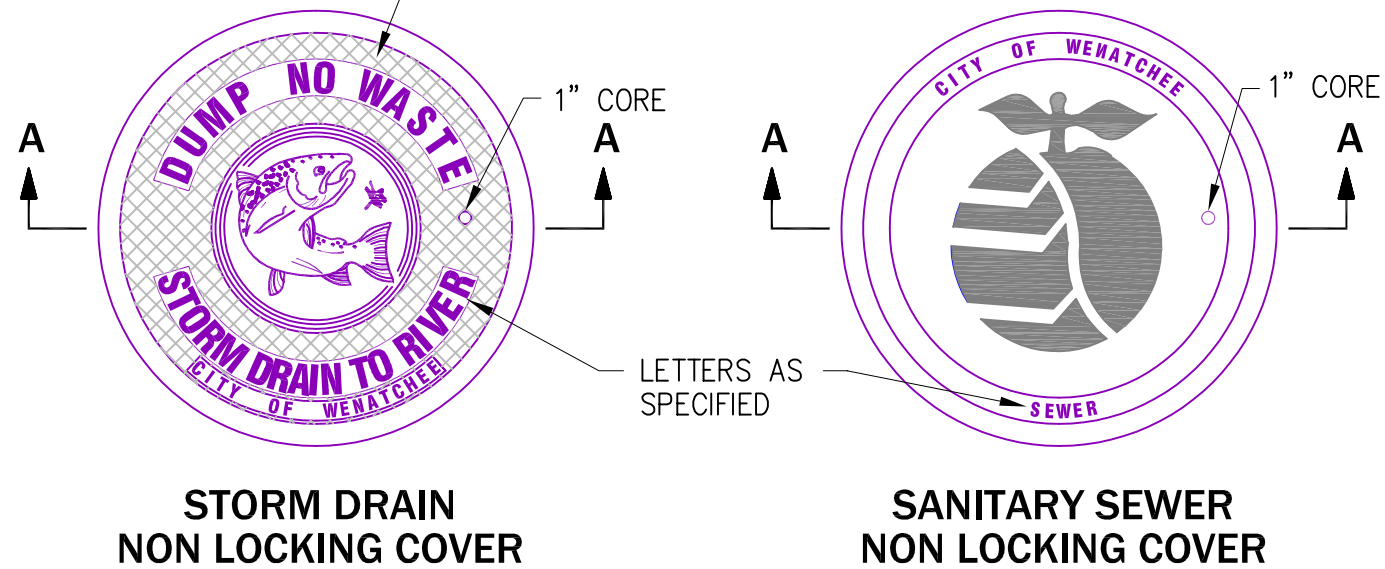
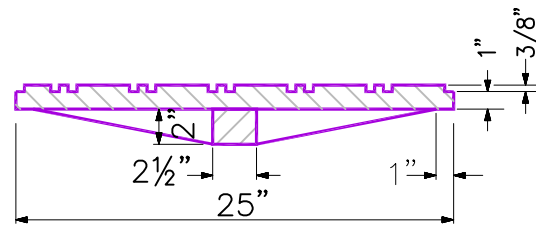


1/2" X 3" X 3/8" NON-SKID PATTERN TO BE CAST INTEGRAL ON TOP OF COVER.

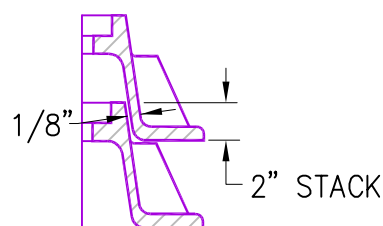


**NOTES:**

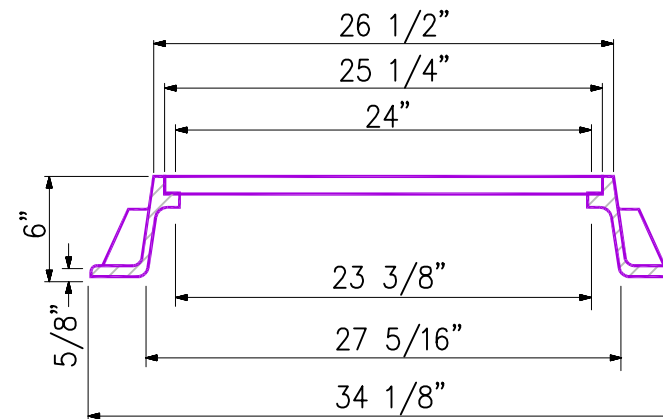
- STANDARD SPECIFICATION SECTION 9-05.15(1) AND 9-06.14
1. COVER SHALL BE AT MINIMUM 100 LBS
  2. MINIMUM WEIGHT OF FRAME SHALL BE 134 LBS
  3. PRODUCT SUPPLIES BY EAST JORDAN IRON WORKS, OR APPROVED EQUAL
  4. CITY OF WENATCHEE LOGO REQUIRED
  5. FRAME AND COVER SHALL BE H-20 LOADING RATED



**SECTION A-A - DUCTILE IRON NON LOCKING COVER  
MINIMUM WEIGHT 100 LBS.**



**STACKING DETAIL**



**SECTION B-B  
GRAY IRON OR DUCTILE IRON FRAME  
MINIMUM WEIGHT 135 LBS.**

**STANDARD DETAIL  
CIRCLE FRAME RING  
AND COVER DETAIL**



SCALE: AS SHOWN	DESIGNED	DRAWN	CHECKED	DATE APPROVED	REVISIONS	
					DATE	INITIAL
					10/03/18	DMW
					09/17/20	CAW