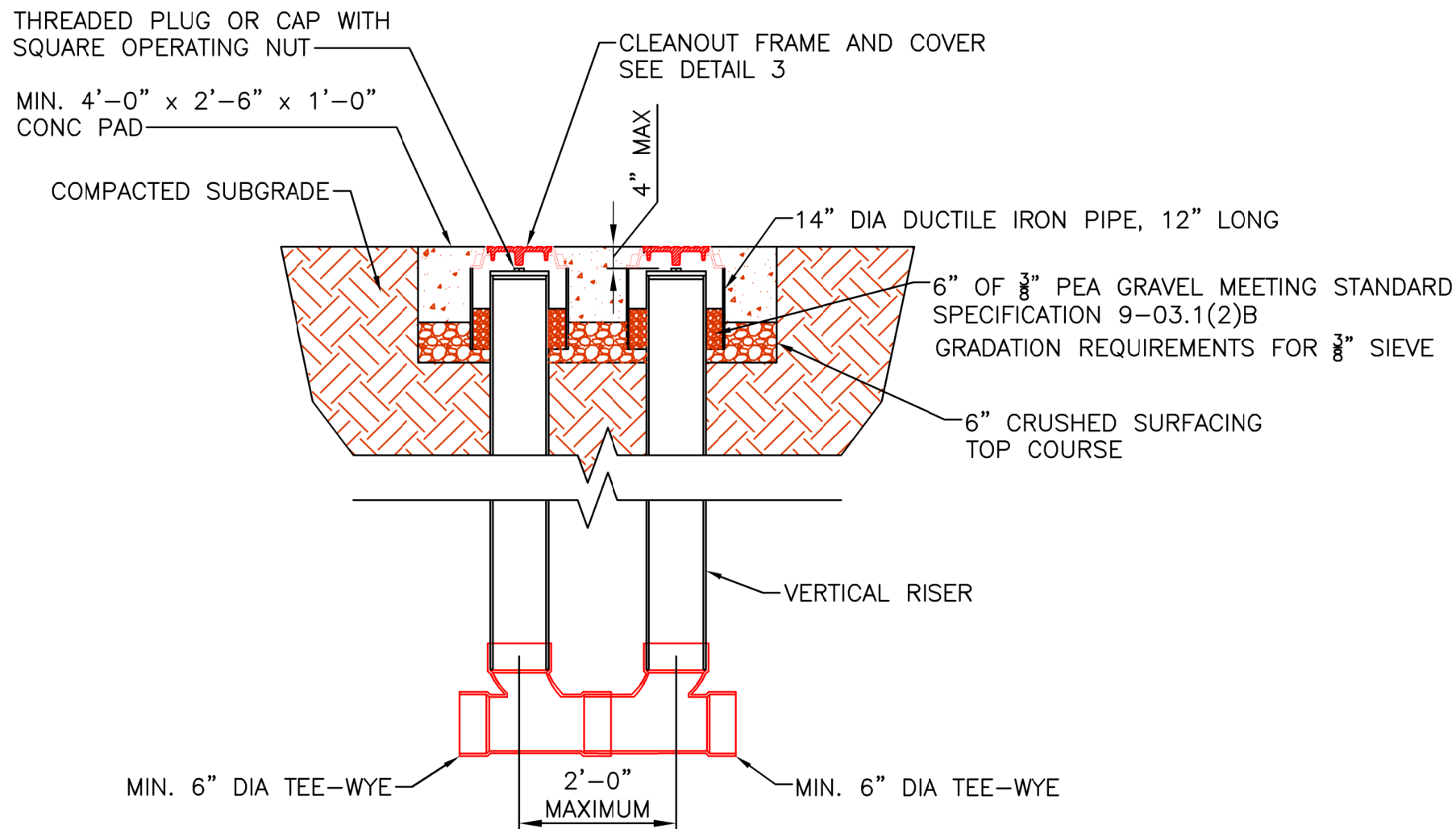


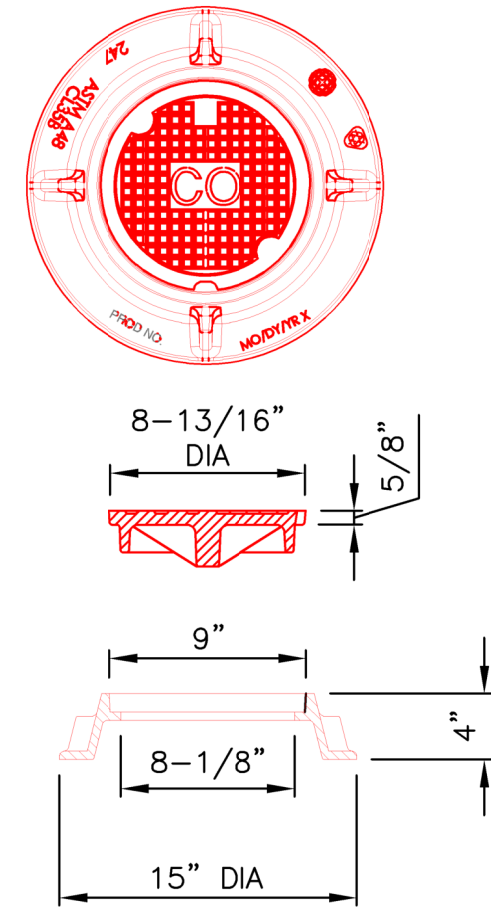
**1 CLEANOUT PLAN VIEW**  
Scale: N.T.S.



**2 CLEANOUT DETAIL**  
Scale: N.T.S.

**GENERAL NOTES**

1. ALL CONNECTIONS MUST BE APPROVED BY THE CITY OF WENATCHEE AND INSTALLED PER MANUFACTURER RECOMMENDATIONS.
2. THE SANITARY SEWER LATERAL, INCLUDING THE TAP, SADDLE, TEE, PIPE, AND CLEANOUT IS CONSIDERED "PRIVATE" UPSTREAM OF THE MAIN LINE POINT OF CONNECTION.
3. MINIMUM 6 INCH DIAMETER CLEANOUTS SHALL BE CONSTRUCTED ON ALL SEWER LATERALS. THE VERTICAL RISER SHALL BE OF EQUAL SIZE AS THE LATERAL PIPE OR LARGER.
4. CLEANOUTS MAY BE LOCATED IN THE PLANTER STRIP AT THE BACK OF WALK, IF ONE EXISTS, AND SHALL BE VISIBLE AT FINISHED GRADE. CLEANOUTS LOCATED BELOW FINISHED GRADE SHALL HAVE ACCESSIBLE COVERS.
5. CLEANOUT FRAME AND COVER SHALL BE HEAVY DUTY, BOLT DOWN EAST JORDAN MODEL 3675 OR APPROVED EQUAL AND LABELED "SEWER" OR "CLEANOUT".
6. MAXIMUM CENTER-TO-CENTER SPACING BETWEEN CLEANOUTS SHALL BE 2'-0". MODIFICATIONS TO THIS SPACING REQUIRE THE APPROVAL OF THE ENGINEER.
7. CONCRETE PAD FC' SHALL BE 3,000 PSI OR GREATER.
8. ALL #4 REBAR SHALL HAVE 2" MINIMUM COVER.



**3 CLEANOUT FRAME AND COVER**  
Scale: N.T.S.

**STANDARD DETAIL  
SANITARY SEWER  
DOUBLE CLEANOUT**



REVISIONS	INITIAL	DATE	DATE DRAWN	CHECKED	DATE APPROVED	DESIGNED BY	APPROVED BY
			3/9/2020			SRD	SRD

SCALE: AS SHOWN  
STANDARD SPECIFICATIONS:  
WS007 7-08 GENERAL PIPE INSTALLATION  
WS007 7-18 SIDE SEWERS  
WS007 7-19 SEWER CLEANOUTS

DETAIL NO.  
**S-120**

PAGE  
**1 OF 1**