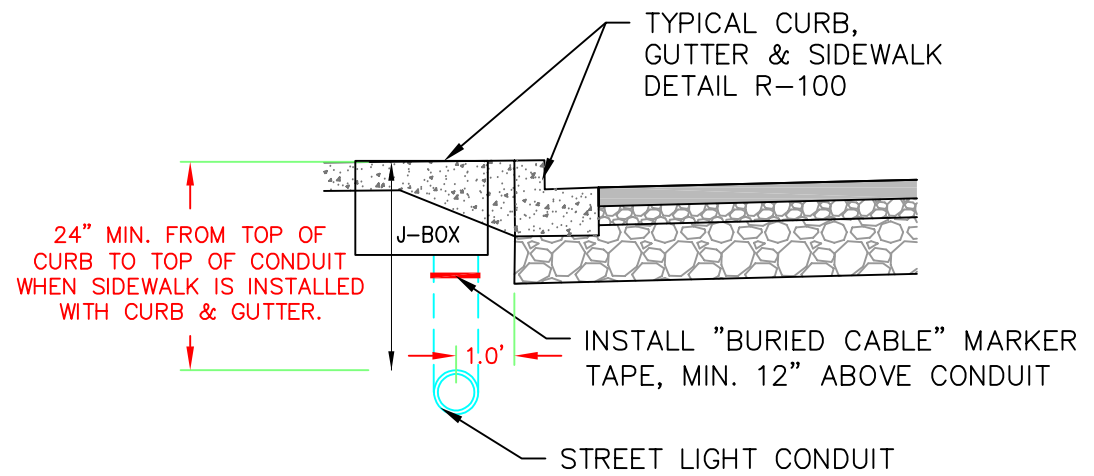


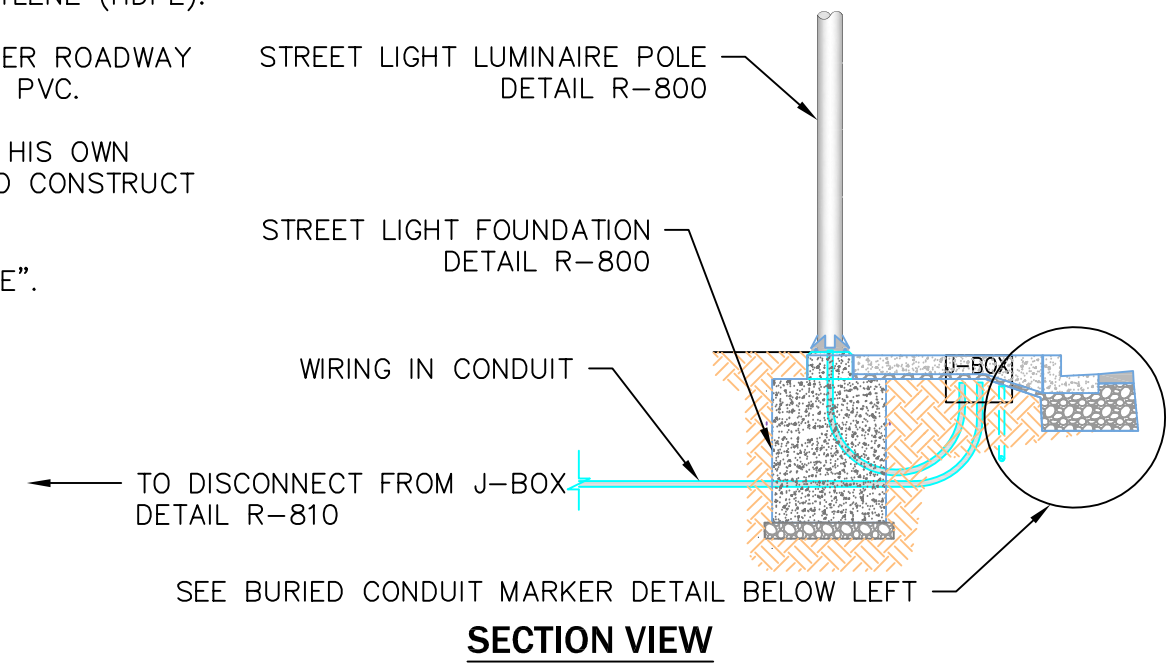
**STREET LIGHT CONDUIT LOCATION**



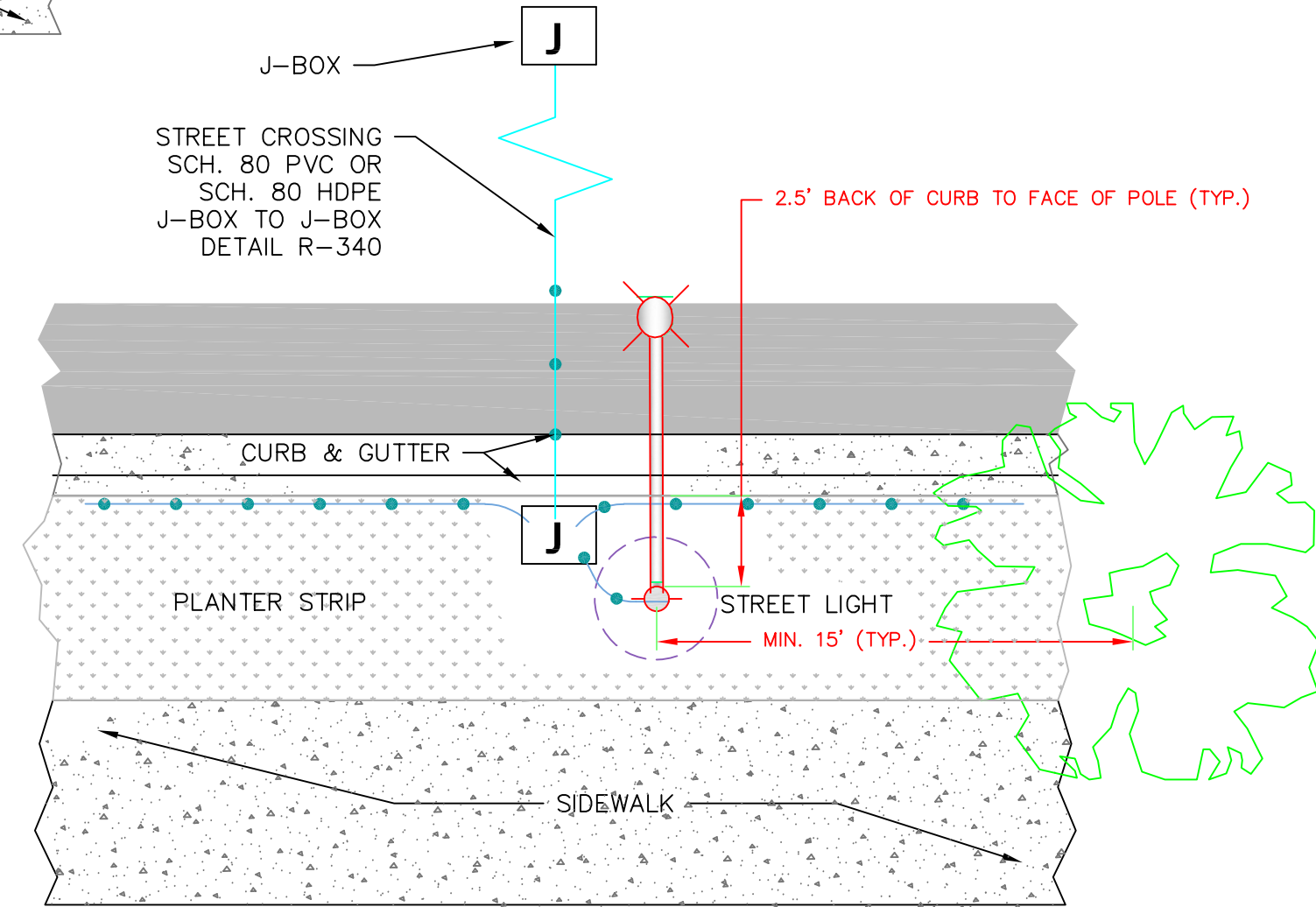
**BURIED CONDUIT MARKER**

JUNCTION BOX TYPE 1 PER WSDOT STD PLAN J-40.10  
 STREET LIGHT WIRING DETAILS PER WSDOT STD PLAN J-28.70  
 TYPICAL GROUNDING DETAILS PER WSDOT STD PLAN J-60.05

CONDUIT IN PLANTER STRIP OR BACK OF CURB (NOT IN ROADWAY) SHALL BE SCHEDULE 40 PVC OR SCHEDULE 80 HIGH DENSITY POLYETHYLENE (HDPE).  
 CONDUIT CROSSING ROADWAY OR UNDER ROADWAY SHALL BE SCH. 80 HDPE OR SCH. 80 PVC.  
 THE CONTRACTOR SHALL SECURE, AT HIS OWN EXPENSE, ALL ELECTRICAL PERMITS TO CONSTRUCT THE LIGHTING SYSTEM.  
 WIRE IN CONDUIT SHALL BE TYPE "USE".



**SECTION VIEW**



**STREET LIGHT CONDUIT & J-BOX LOCATION IN PLANTER STRIP**

**STANDARD DETAIL  
 CONDUIT LOCATION  
 STREET LIGHTING**



SCALE:	AS SHOWN	DESIGNED:	DMN	CHECKED:	DMN	DATE DRAWN:	3/23/2015	DATE APPROVED:	
DATE DRAWN:	3/23/2015	CHECKED:	DMN	DATE APPROVED:		DATE:	11/2/2017	REVISIONS:	
DESIGNED BY:	DMN	CHECKED BY:	DMN	DATE:	11/2/2017	INITIAL:	JBV		
APPROVED BY:		DATE:							

DETAIL NO.  
**R-815**

PAGE  
**1 OF 1**