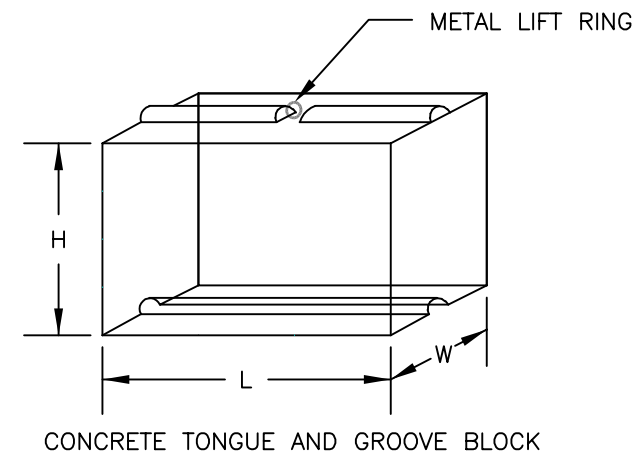


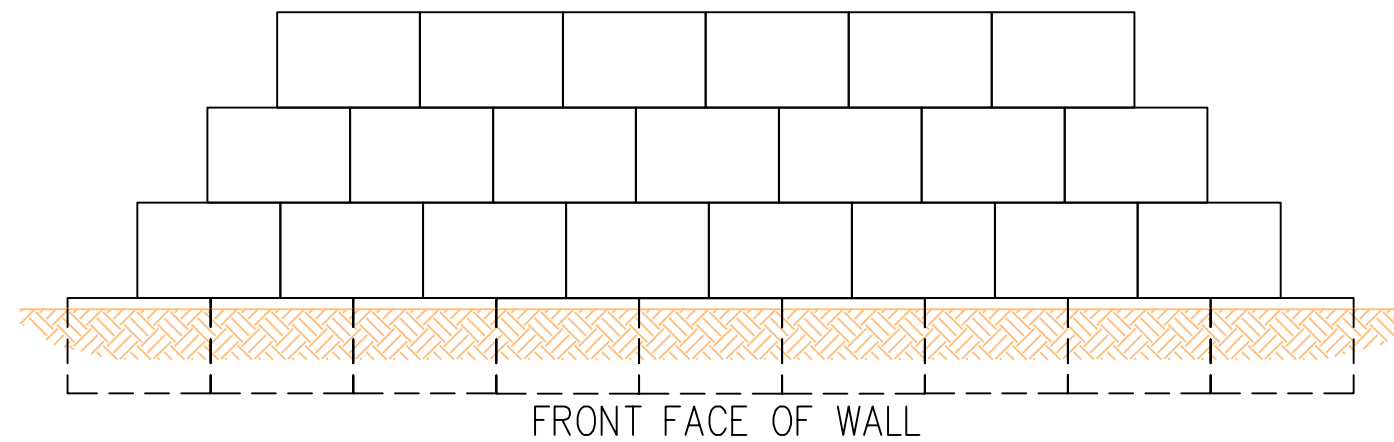
NOTE:

1. MAX DEPTH OF CUT SHALL BE 8 FEET, AND MAX DEPTH OF FILL SHALL BE 4' OR AS APPROVED BY GEOTECHNICAL ENGINEER. IN ANY CASE, THE CITY MAY REQUIRE INSPECTION AND APPROVAL BY A GEOTECHNICAL ENGINEER.



SIZES

H	L	W
2'-0"	3'-0"	2'-0"
2'-0"	6'-0"	2'-0"



**STANDARD DETAIL
ECOLOGY BLOCK
WALL**



SCALE: AS SHOWN	DESIGNED	DRAWN	CHECKED	DATE DRAWN	DATE	INITIAL
	APPROVED BY	CAW	DATE APPROVED	10/23/2020		
STANDARD SPECIFICATIONS						

DETAIL NO.

R-420

PAGE

1 OF 1