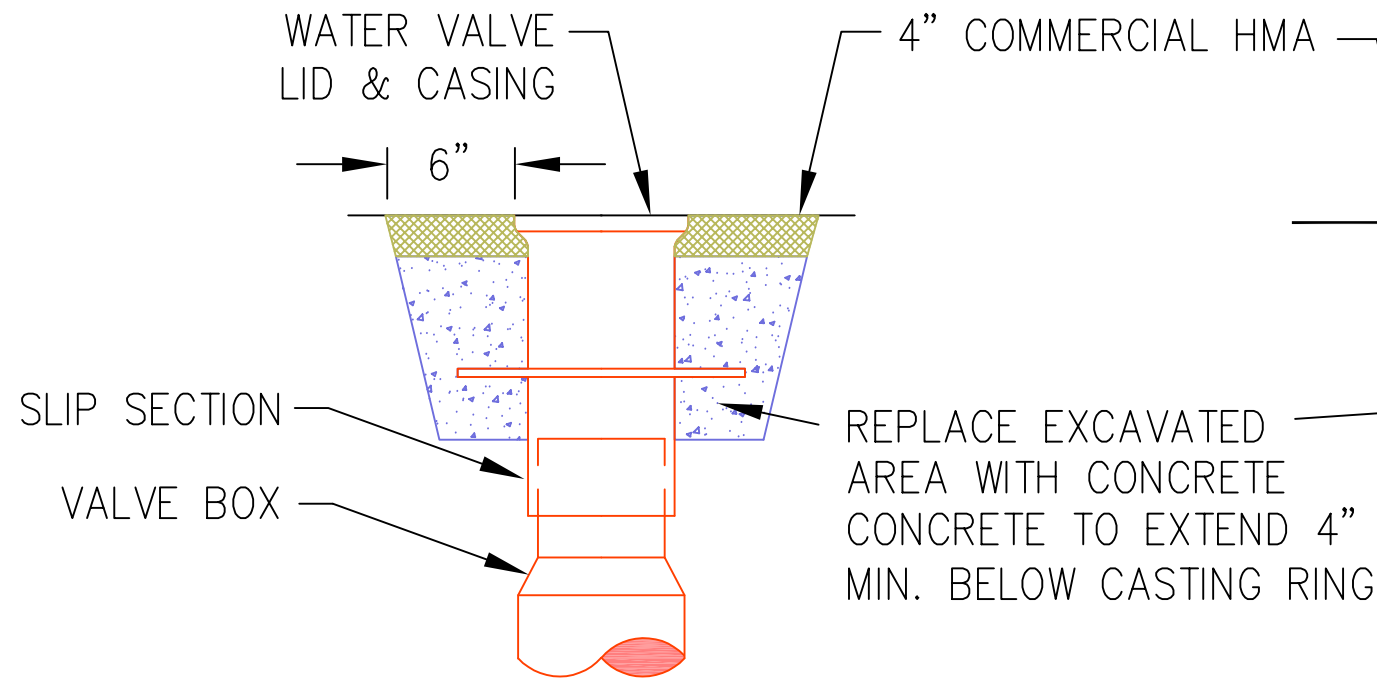


MONUMENT ADJUSTMENT DETAIL

N.T.S.

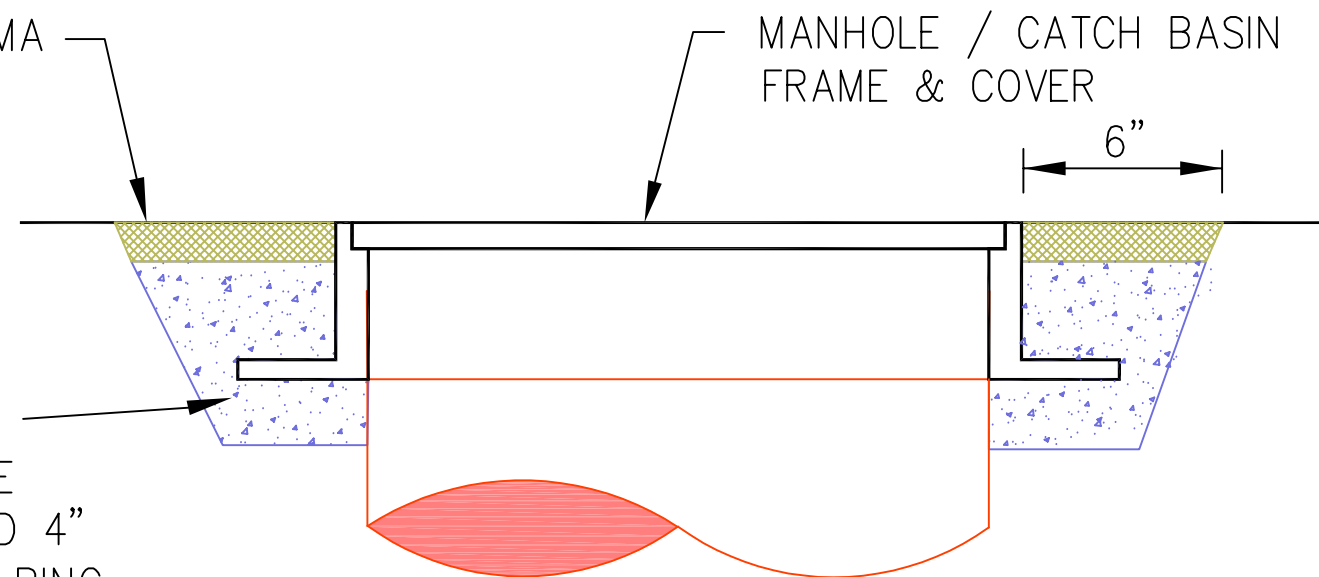
NOTES:

- 1) THE HIGHEST POINT ON THE CASING, RING, OR COVER SHALL BE NO LESS THAN FLUSH AND NO MORE THAN 1/8" BELOW FINISHED GRADE.
- 2) USE PRE-CAST CONCRETE ADJUSTING RINGS TO RAISE THE FRAMES ON MANHOLES AND CATCH BASINS.
- 3) ADJUSTING RINGS SHALL BE GROUTED INSIDE AND OUT USING 6000 P.S.I. GROUT.
- 4) ASPHALT PATCH TO BE LEVEL WITH EXISTING ASPHALT SURFACE.



WATER VALVE ADJUSTMENT DETAIL

N.T.S.



MANHOLE, CATCH BASIN ADJUSTMENT DETAIL

N.T.S.

STANDARD DETAIL
UTILITY ADJUST



SCALE: AS SHOWN	DESIGNED	DRAWN	CHECKED	DATE APPROVED	REVISIONS	
					DATE	INITIAL
					08/20	CAW

DETAIL NO.
R-330

PAGE
1 OF 1