

90° CROSS SEPARATOR BRACKET OR EQUAL (12" MIN. ATTACHMENT TO SIGNS)

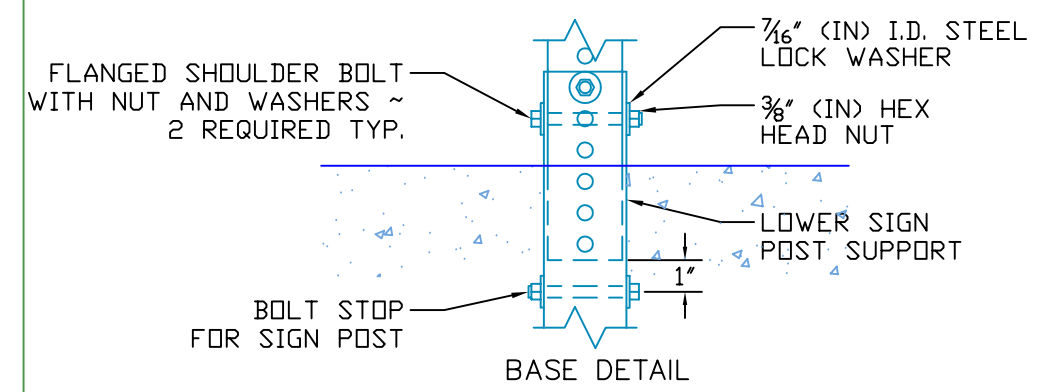
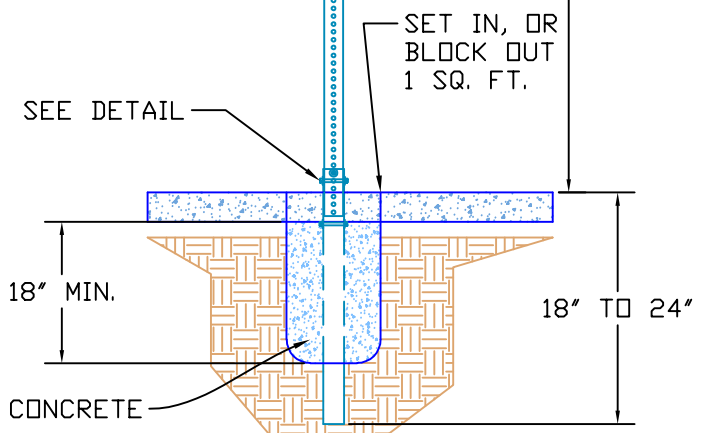
BLANK HEIGHT - SEE TABLE

SQUARE POST BRACKET (12" MIN. ATTACHMENT TO SIGN)

REQUIRES APPROVED ATTACHMENT BRACKET OR EQUAL (TOP AND BOTTOM)

2"x2" PERFORATED STEEL POST 12 GAUGE

7-FT MIN.



NOTES:

1	STOP signs shall be MUTCD R1-1. Sizes shall be 30 x 30 min for single lane roads, and 36 x 36 for multi-lane roads.
2	The lettering for names of streets on Street Name Signs shall be composed of a combination of lower-case letters with initial upper-case letters; in compliance with MUTCD 2009 Edition as directed by the Washington Amended Code 486-95. The background shall be green and the legend and border shall be white. See the Table below for minimum lettering heights.
3	Supplementary lettering to indicate the type of street (such as Street, Avenue, or Road) or the section of the city (such as N or S) on the street name sign shall be in smaller lettering, composed of initial upper-case letters at least 3 inches in height and lower-case letters at least 2.25 inches in height. Conventional abbreviations may be used except for the street name itself.
4	The orientation of the Street Name Sign shall be parallel with the street that it names.
5	The minimum installation height of a post-mounted street name sign shall be 9.5-feet, if no STOP sign is installed.
6	Use higher classification of road at intersections
7	0.125" sheet aluminum for permanent signs. Type III or IV reflective sheeting for background of signs.
8	Corner radii of 1 1/2 inches.
10	See City Standard R11 for sign placement details.

Minimum Letter Heights on Street Name Signs (See Note 3)

Type of Mounting	Type of Street	Speed Limit	Letter Height		Supplemental	Blank Height	Border
			Initial Upper-case	Lower-Case			
Overhead	All Types	All Speed Limits	12 inches	9 inches	Apple logo	18 inches	1 1/2 inches
Post Mounted	All Types	All Speed Limits	6 inches	4.5 inches	3-2.25 inches	9 inches	1/2 inch

STANDARD DETAIL  
STOP AND STREET  
NAME SIGNS



SCALE: AS SHOWN	DESIGNED: DMN	DRAWN: DMN	APPROVED BY:	STANDARD SPECIFICATIONS: 9-08 PAINT AND RELATED MATERIALS 9-28 SIGNING AND MATERIALS FABRICATION
DATE DRAWN: 10/18/2012	CHECKED:	DATE APPROVED:	REVISIONS:	
DATE: 09/20	INITIAL: CAW			