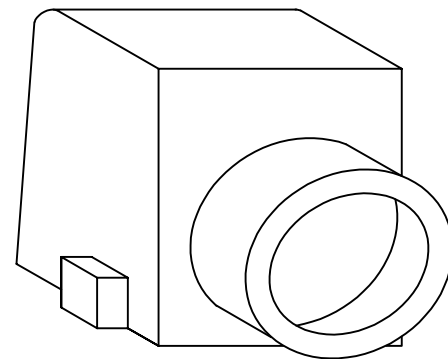
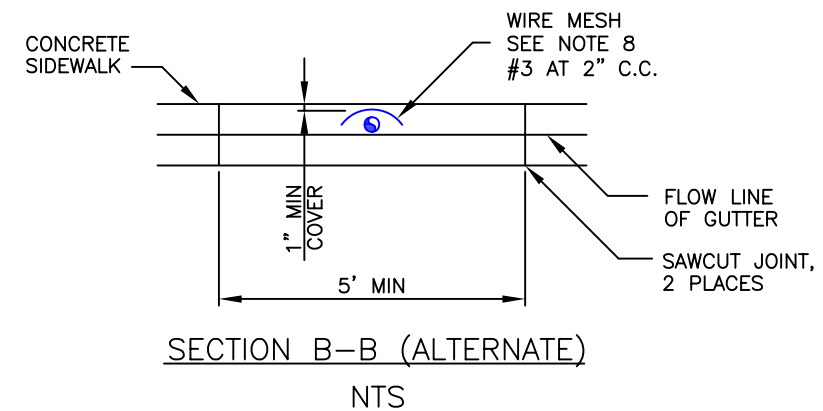
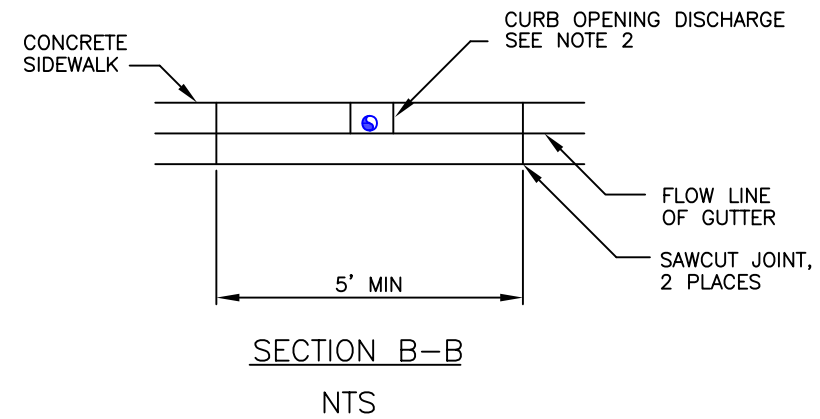
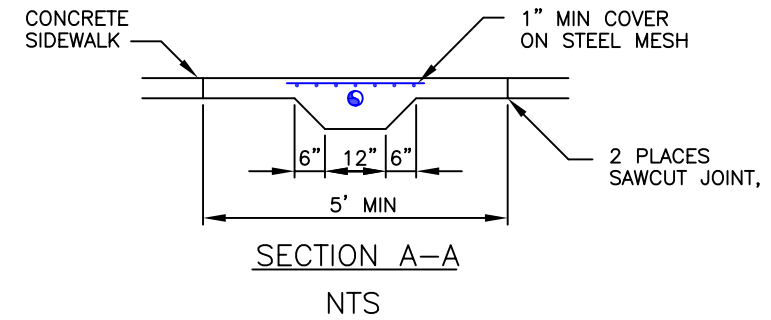


CURB DRAIN FRONT



CURB DRAIN BACK



NOTES

1. PIPE SHALL BE 3" DIA PVC PLASTIC PIPE (SCH 40).
2. USE NEENAH FOUNDRY PRODUCT R-3262-3 OR EQUAL AS APPROVED BY CITY.
3. CEMENT CONCRETE SHALL BE CLASS B (3/4").
4. REINFORCING BAR SHALL BE #3 (3/8" DEFORMED BAR).
5. SIDEWALK AND CURBING MUST BE SAW-CUT AT A DUMMY JOINT OR REMOVED TO A FULL EXPANSION JOINT.
6. SIDEWALK THICKNESS OF 4" MINIMUM.
7. FULL DEPTH OF CURB AND GUTTER MUST BE REMOVED AND REPLACED.
8. WIRE MESH SHALL BE 3 X 3 10 GAUGE.
9. ALTERNATE TO BE USED ONLY WITH APPROVAL FROM CITY.
10. ONLY FOR USE IN AREAS WITHOUT EXISTING STORM SYSTEMS

**STANDARD DETAIL
RESIDENTIAL SIDEWALK
DRAIN**



SCALE: AS SHOWN	DESIGNED	DRAWN CAW	APPROVED BY	REVISIONS	INITIAL
				DATE	
DATE DRAWN 12/11/2020	CHECKED	DATE APPROVED	STANDARD SPECIFICATIONS		

DETAIL NO.
D-310

PAGE
1 OF 1