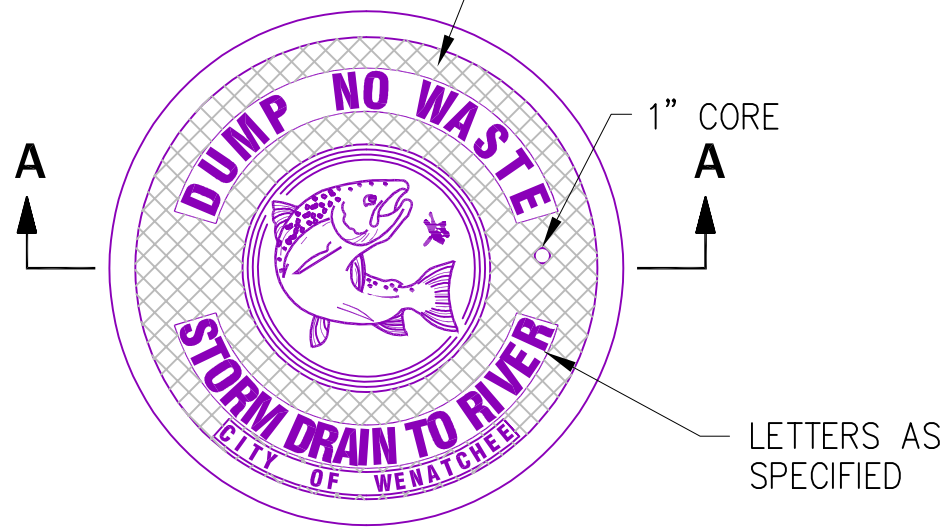
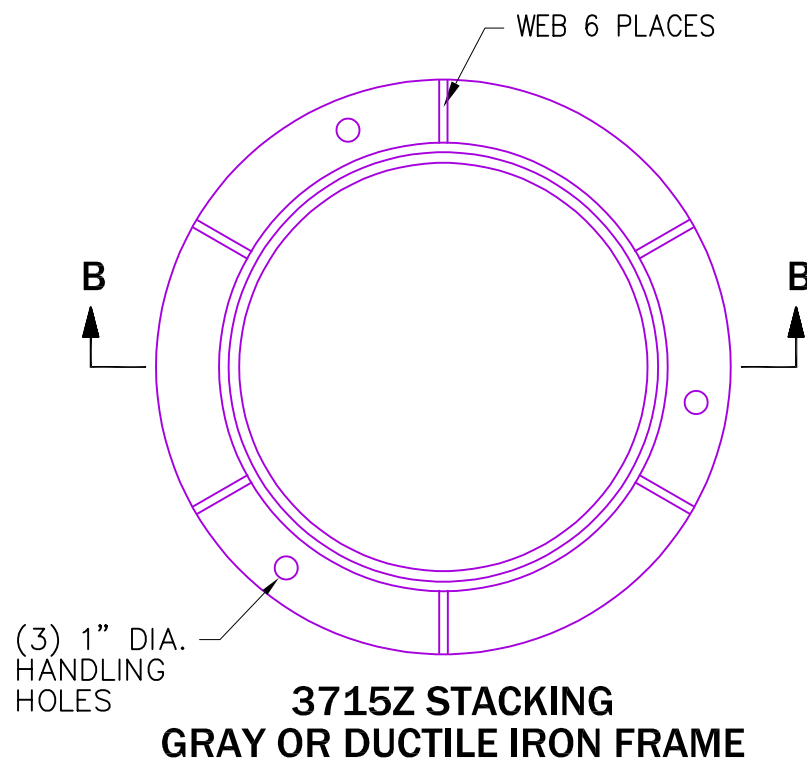


1/2" X 3" X 3/8" NON-SKID
PATTERN TO BE CAST INTEGRAL
ON TOP OF COVER.



**STORM DRAIN
NON LOCKING COVER**

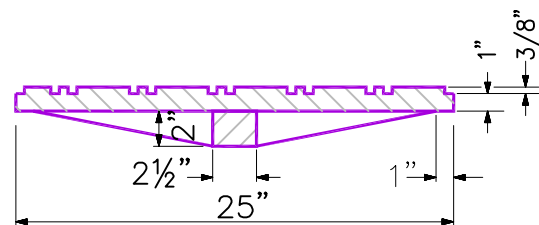


**3715Z STACKING
GRAY OR DUCTILE IRON FRAME**

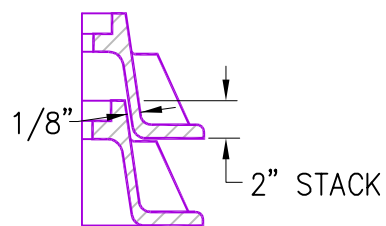
NOTES:

STANDARD SPECIFICATION SECTION 9-05.15(1) AND 9-06.14

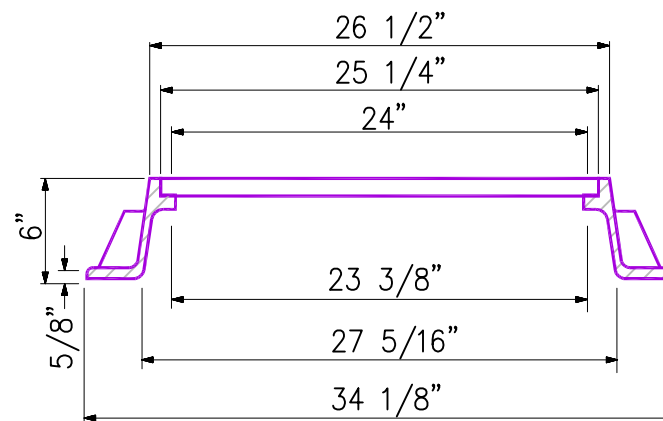
1. COVER SHALL BE AT MINIMUM 100 LBS
2. MINIMUM WEIGHT OF FRAME SHALL BE 134 LBS
3. PRODUCT SUPPLIES BY EAST JORDAN IRON WORKS, OR APPROVED EQUAL
4. CITY OF WENATCHEE LOGO REQUIRED
5. FRAME AND COVER SHALL BE H-20 LOADING RATED



**SECTION A-A - DUCTILE IRON
NON LOCKING COVER
MINIMUM WEIGHT 100 LBS.**



STACKING DETAIL



**SECTION B-B
GRAY IRON OR DUCTILE IRON FRAME
MINIMUM WEIGHT 135 LBS.**

**STANDARD DETAIL
CIRCLE FRAME RING
AND COVER DETAIL**



| SCALE: AS SHOWN | DATE DRAWN | REVISIONS | | DATE APPROVED | STANDARD SPECIFICATIONS |
|-----------------|------------|-----------|---------|---------------|-------------------------|
| | | DATE | INITIAL | | |
| DRAWN | 02/21/06 | 10/03/18 | DMH | | |
| CHECKED | | 09/17/20 | CAW | | |
| DESIGNED | | | | | |
| APPROVED BY | | | | | |

DETAIL NO.
D-100

PAGE
1 OF 1